



VERWOL GLAZED WALL PARTITIONS

DESIGN, COMFORT AND QUALITY

 **VERWOL**
GLAZED WALL PARTITIONS



Slimline Clearvision Single



Slimline Clearvision Double



VERWOL GLAZED WALL PARTITIONS & DOORS

Verwol produces high-end glazed wall partitions and doors for more than 30 years. Our manufacturing facility based in the Netherlands has a 125,000 sqft state of the art factory space.

Facts about Verwol Slimline wall partitions

- ✓ Track work with a height of just 30mm [1-1/4"]
- ✓ Great acoustical solutions
- ✓ Glass-to-glass connection without the use of silicone or metal mullions
- ✓ Premium quality and architectural design
- ✓ Cradle to Cradle Silver certificated

Cradle to Cradle certified wall partitions and doors

The products of the Verwol wall partitions and doors are manufactured with the certificate Cradle to Cradle (C2C) Silver. C2C is now officially marked as one of the highest standards when it comes down to sustainability in both the EU and the US.

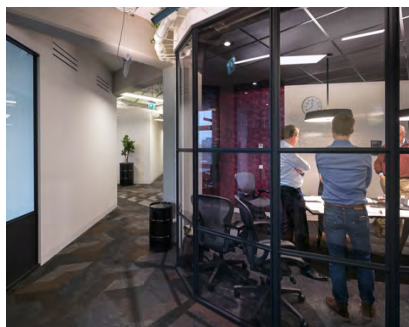
PRODUCT RANGE



Slimline Clearvision Single



Slimline Clearvision Double



Vintage Vision



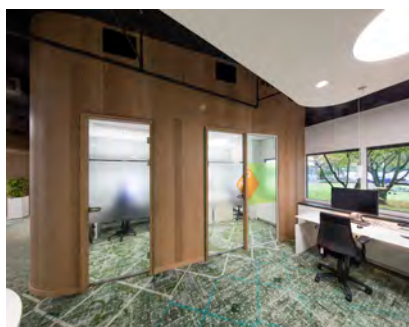
Framed glazed doors single glass



Framed glazed doors double glass



Framed glazed sliding doors



Glass doors



VERWOL



VERWOL COMBINES FUNCTIONALITY WITH DESIGN

The desire for a work environment where people can feel comfortable, work productively and energetically, is a constant challenge in the corporate world. To achieve this aim solutions for acoustics are essential, but the interior of the building should also be able to grow with your personnel and still be flexible enough to relocate when your office requirements change. These requirements to functionality do not need to be at odds with design. And Verwol proves it.

Verwol glazed wall partitions & doors specifications

Verwol glazed wall partitions & doors are an integral part of office design providing management and staff with quiet areas and speech privacy. The sound insulation values are all laboratory test results.

Product	Surface	R _w	Thickness
Clearvision Single	Single glazed	36dB	25mm [1"]
Clearvision Double	Double glazed	44dB	100mm [4"]
Vintage Vision	Single glazed	36dB	60mm [2,4"]
Framed glazed doors	Single glazed	40dB (leaf)	40mm [1 1/2"]
Framed glazed doors	Double glazed	43dB (leaf)	40mm [1 1/2"]
Framed glazed slider doors	Single glazed	No test results available	40mm [1 1/2"]
Glass doors	Single glazed	No test results available	10mm / 12mm

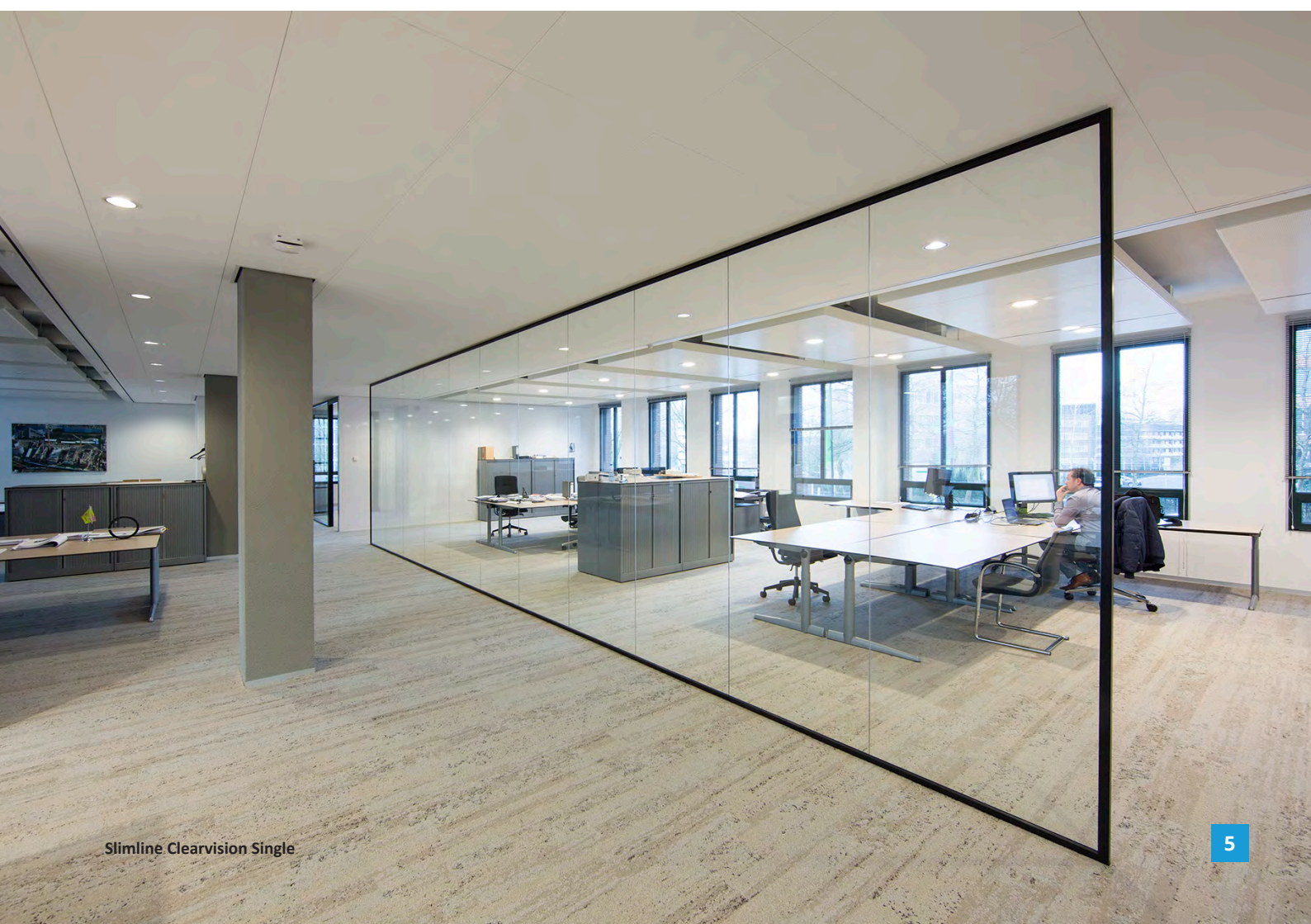


SILVER
Manufacturer of C2C certified wall partitions and doors





Slimline Clearvision Single



Slimline Clearvision Single

VERWOL GLAZED WALL PARTITIONS

Specifications

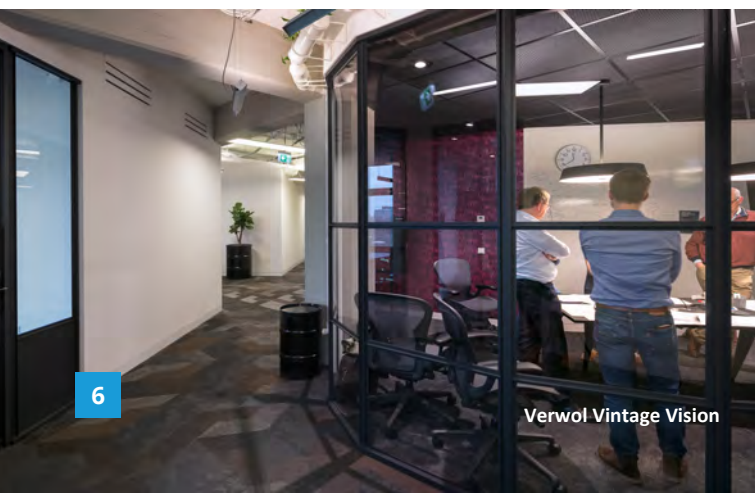
- ✓ Thickness: 25 or 100mm [1", 4"].
- ✓ Panel width: up to 900mm [36"]
- ✓ Height: max. 3.000mm [10"].
- ✓ Track work: aluminum.
- ✓ Head track: 30mm high [1-1/4"].
- ✓ Base track: 30mm high [1-1/4"].

Finish

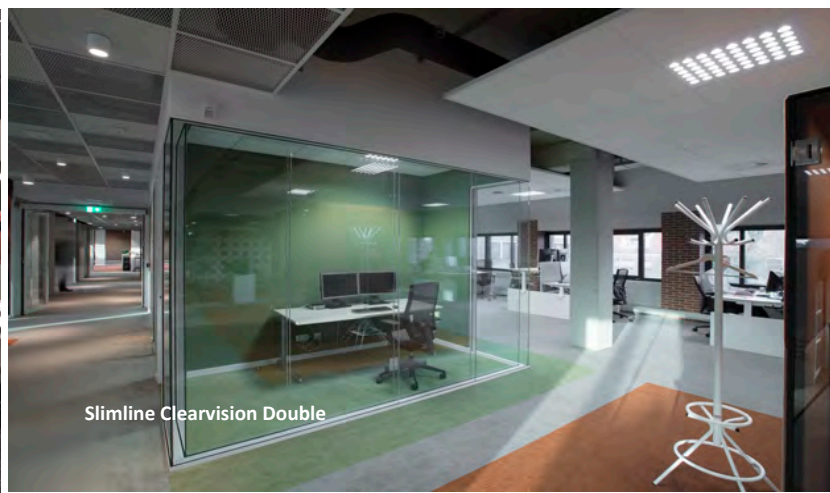
- ✓ Full glazed system: single or double glazed, connected with Flushjoint connection.
- ✓ Aluminum colors: The Slimline head- and base tracks are available in black (RAL 7021), white (RAL 9010) and grey (RAL 7035). The Vintage Vision is available in black (RAL 7021).
- ✓ The Vintage Vision wall partitions is equipped with horizontal and vertical profiles.

Achievements

- ✓ Sound insulation Clearvision Single: Rw=36dB
- ✓ Sound insulation Clearvision Double: Rw=44dB
- ✓ Sound insulation Vintage Vision: Rw=36dB

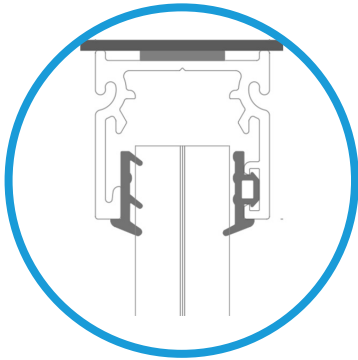


Verwol Vintage Vision

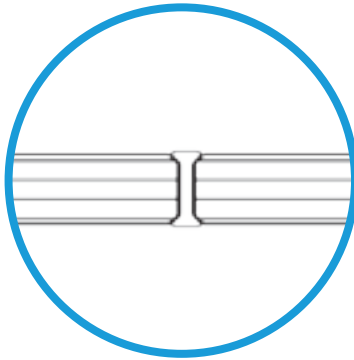


Slimline Clearvision Double

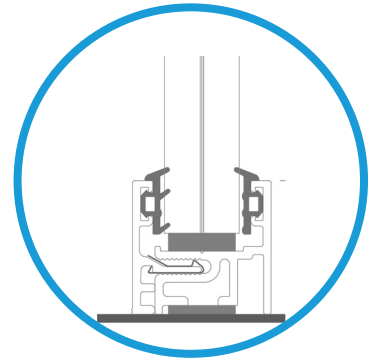
DETAILS



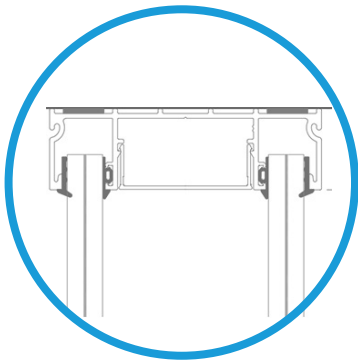
Clearvision Single
head track



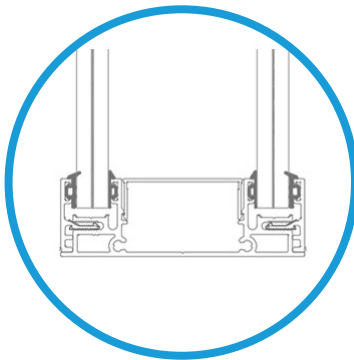
Glass-to-glass
Flush joint



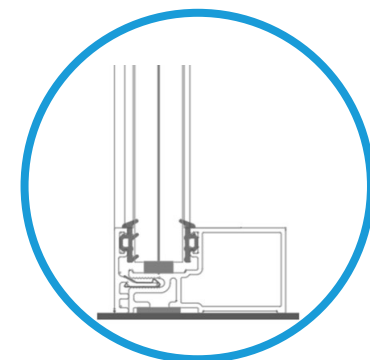
Clearvision Single
base track



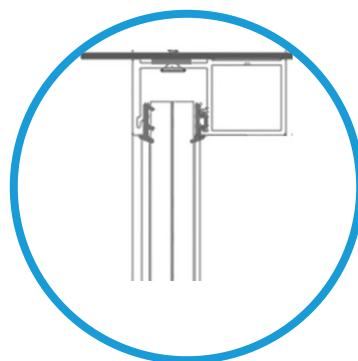
Clearvision Double
head track



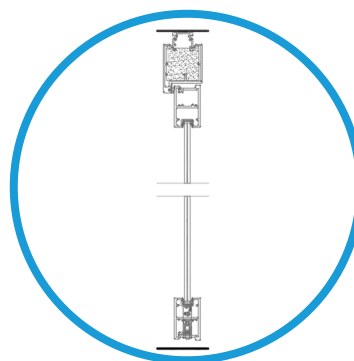
Clearvision Double
base track



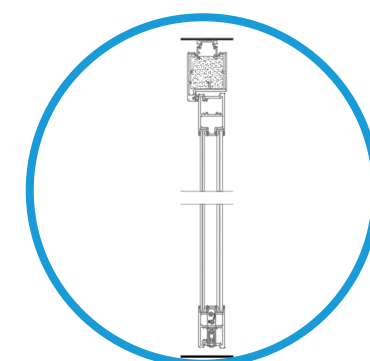
Vintage Vision
base track



Vintage Vision
head track



Framed Single Glazed door in a
Simline single glazed wall partition



Framed Double Glazed door in a
Simline single glazed wall partition

FRAMED GLAZED DOORS

Aluminum framed glazed doors have a slim and contemporary appearance and are suitable in any office location. The doors have high level of acoustics and are available with hinges, pivots and sliders.

Specifications Verwol Framed Glazed

- ✓ Height: max. 3.000mm [10"].
- ✓ Width: default 930mm [37"]
- ✓ Thickness: 40mm [1-5/8"].
- ✓ Sound insulation single glass: up to $R_w = 40\text{dB}$ (leaf only)
Sound insulation double glass: up to $R_w = 43\text{dB}$ (leaf only)

Finish

- ✓ Frame material: aluminum.
- ✓ Aluminum colors: Black (RAL 7021), White (9010) and grey (RAL 7035)
- ✓ Door frame: 37mm wide [1-1/2"].





Framed Single Glazed Doors



Framed double glazed doors

FRAMED GLAZED SLIDING DOORS

The Verwol Aluminum framed sliding doors have a slim and contemporary appearance and are suitable in any office location.

The doors have the best sound insulation features and are available with hinges, pivots and sliders.

Specifications Verwol Framed Glazed

- ✓ Height: max. 3.000mm [10"].
- ✓ Width: up to 2.000mm [78-1/2"]
- ✓ Thickness: 40mm [1-1/2"].

Finish

- ✓ Frame material: aluminum.
- ✓ Aluminum colors: Black (RAL 7021), White (9010) and grey (RAL 7035)





De Veken 21, Opmeer, The Netherlands



www.verwol.com



info@verwol.com

Our dealer North East U.S.A.



110 East 30th street
4th floor New York NY 10016



212-352-0030 / 917-468-1341



bdunn@commercialfile.com