

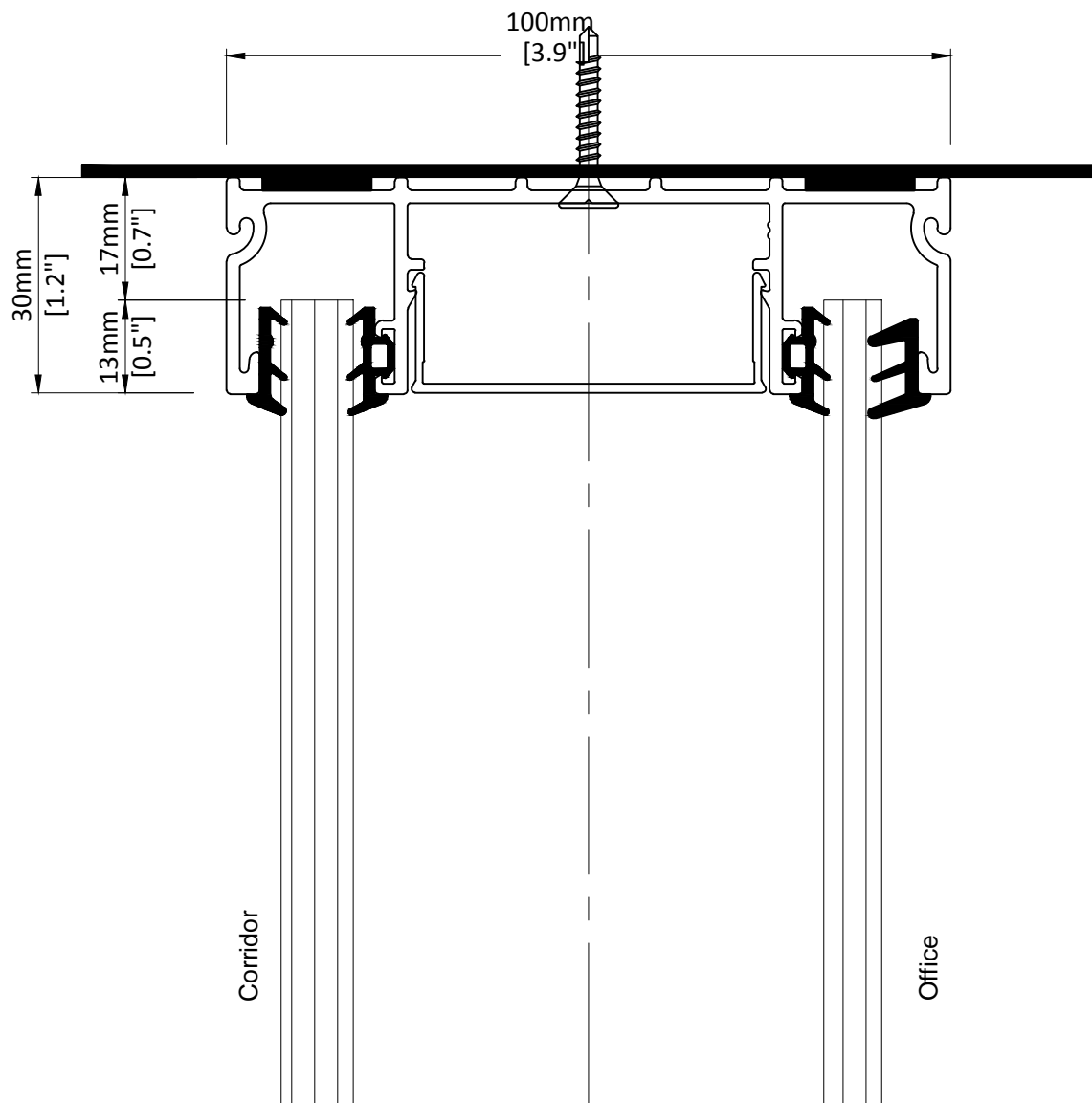
Project System details - Clearvision Double	Project no.	Detail no. W 000
Description Overview	Scale 1:1	



VERWOL Architectural Walls

Headquarters and production
 De Veken 21 +31 - (0)226 36 36 36
 1716 KE Opmeer international@verwol.nl
 The Netherlands www.verwol.nl/en

		F
		E
		D
		C
		B
		A
MS	01-01-2015	
	Date	Rev.



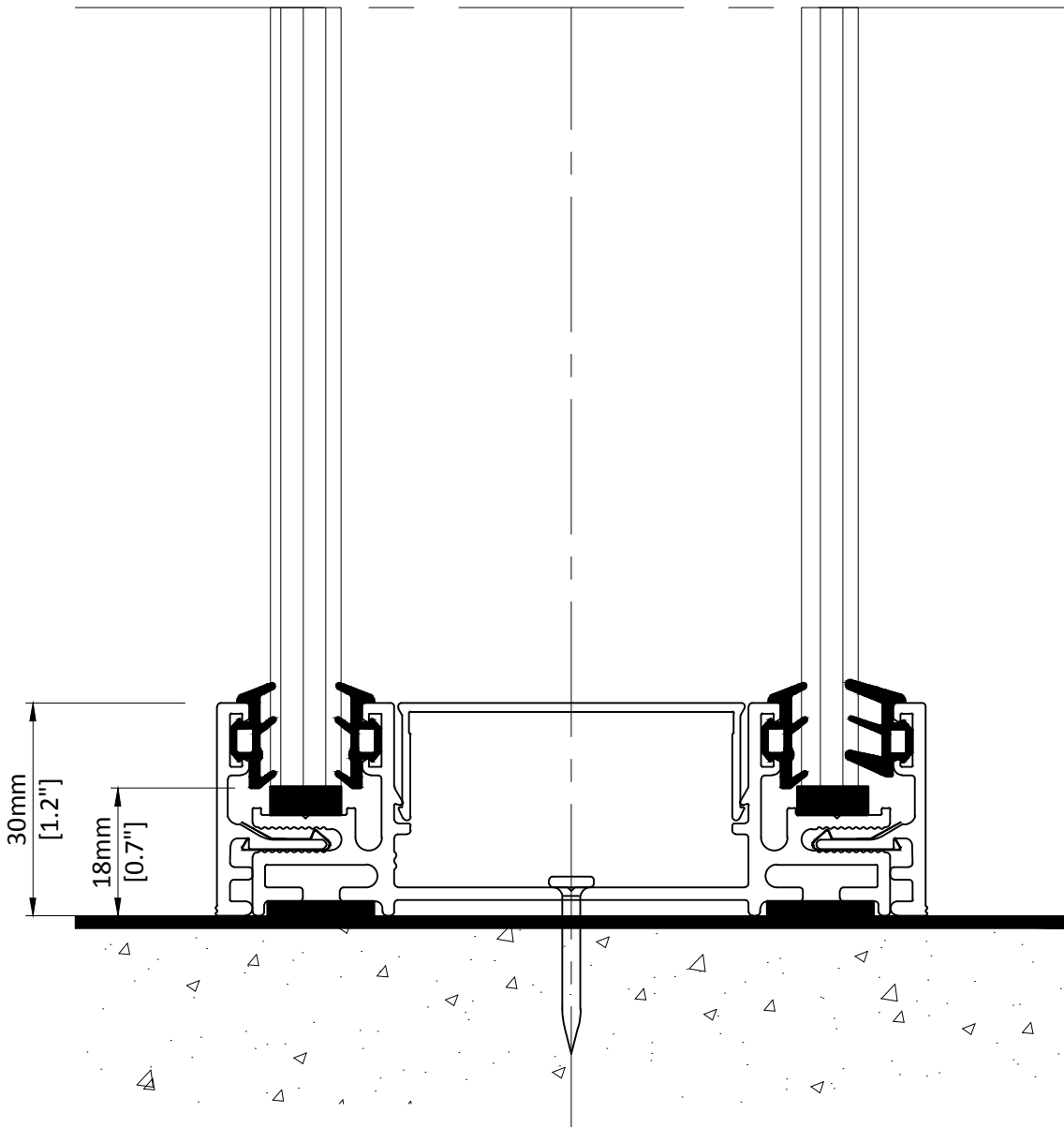
Project System details	Project no.	Detail no. W 001
Description Head profile	Scale 1:1	



VERWOL Architectural Walls

Headquarters and production
 De Veken 21 +31 - (0)226 36 36 36
 1716 KE Opmeer international@verwol.nl
 The Netherlands www.verwol.nl/en

		F
		E
		D
		C
		B
		A
MS	01-01-2015	
	Date	Rev.



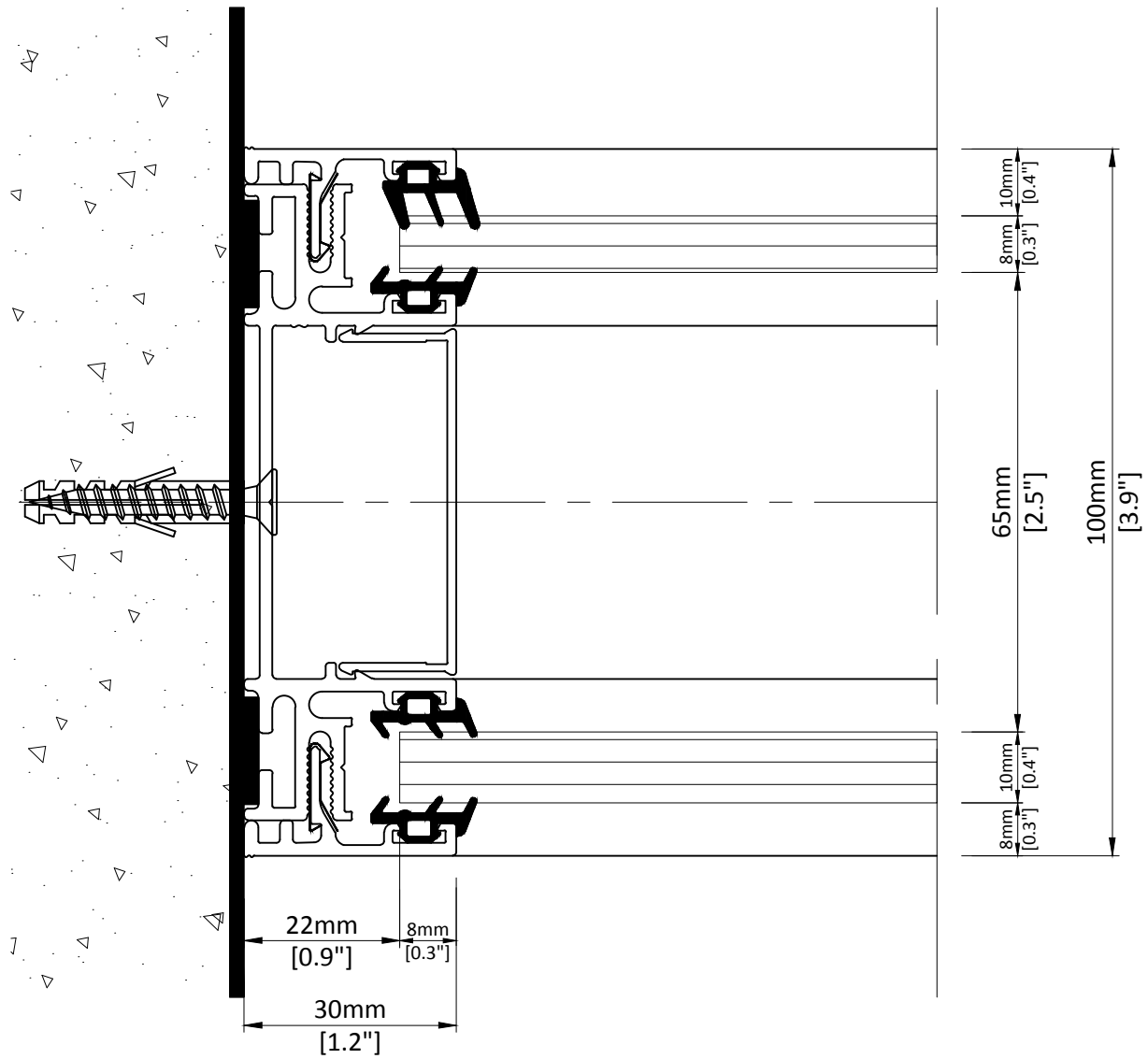
Project System details - Clearvision Double	Project no.	Detail no. W 002
Description Base track	Scale 1:1	CV100.S.00dB.00'.03.-



VERWOL Architectural Walls

Headquarters and production
 De Veken 21 +31 - (0)226 36 36 36
 1716 KE Opmeer international@verwol.nl
 The Netherlands www.verwol.nl/en

		F
		E
		D
		C
		B
		A
MS	01-01-2015	
	Date	Rev.



Project
System details - Clearvision Double

Project no.

Detail no.
W 003

Description
wall abutment

Scale
1:1

CV100.S.00dB.00'.04.



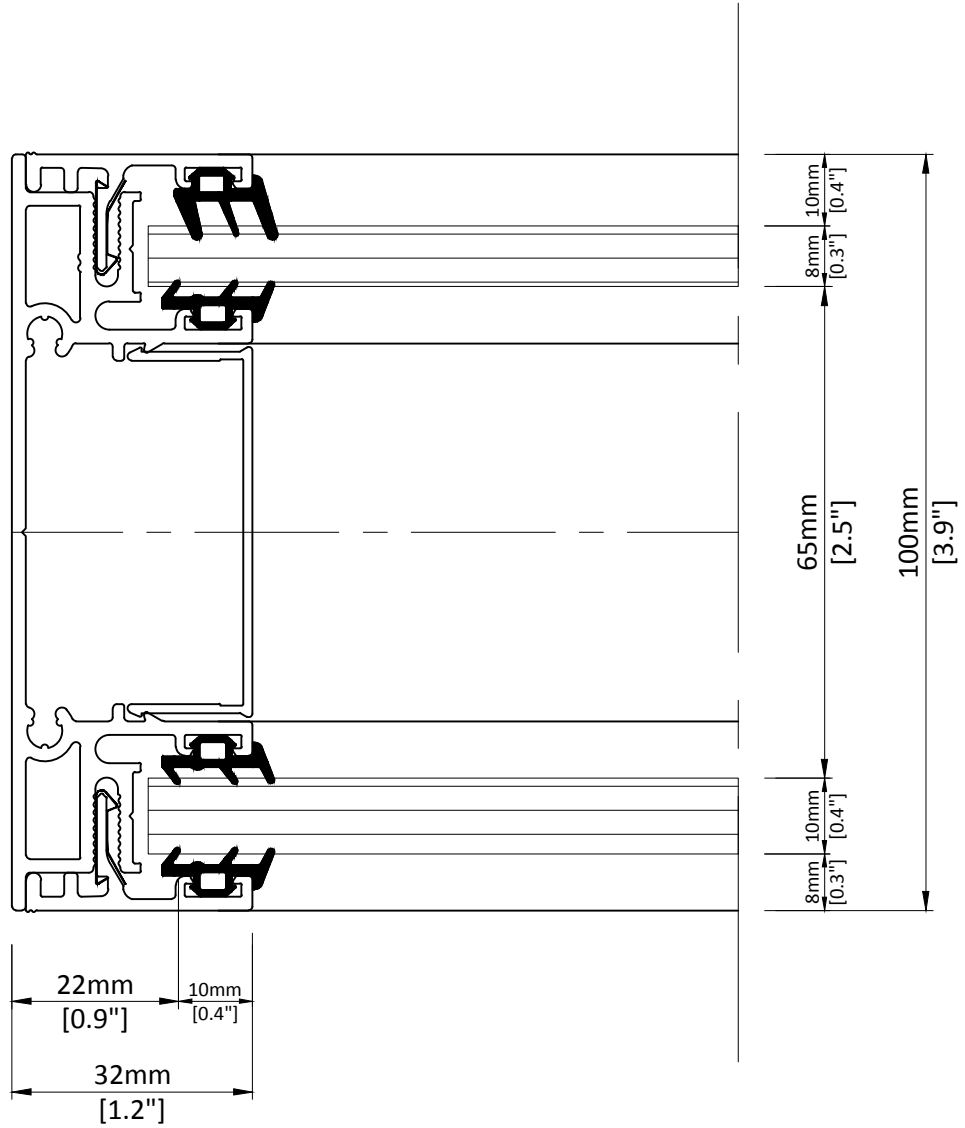
VERWOL Architectural Walls

Headquarters and production

De Veken 21
1716 KE Opmeer
The Netherlands

+31 - (0)226 36 36 36
international@verwol.nl
www.verwol.nl/en

		F
		E
		D
		C
		B
		A
MS	01-01-2015	
	Date	Rev.



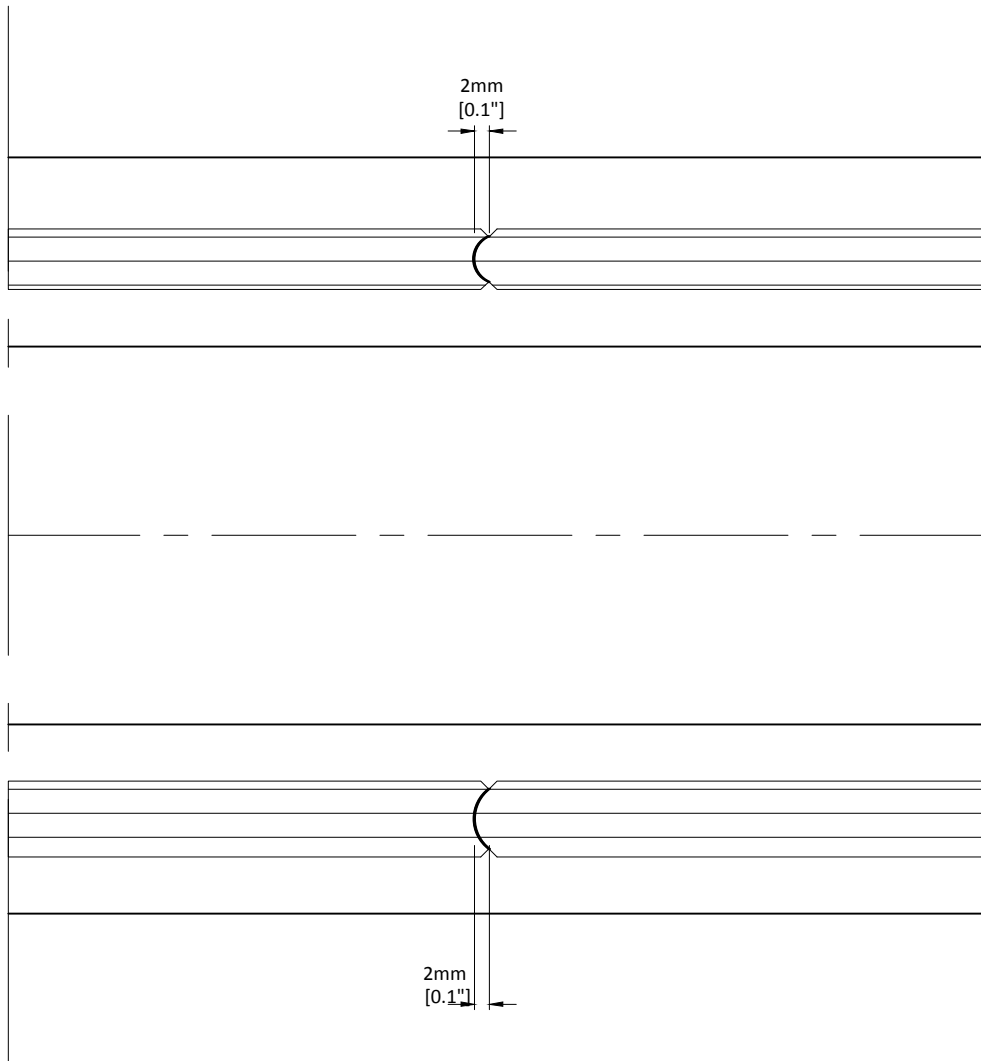
Project System details - Clearvision Double	Project no.	Detail no. W 004
Description end post	Scale 1:1	CV100.S.00dB.00'.05.



VERWOL Architectural Walls

Headquarters and production
 De Veken 21 +31 - (0)226 36 36 36
 1716 KE Opmeer international@verwol.nl
 The Netherlands info@verwol.nl www.verwol.nl/en

		F
		E
		D
		C
		B
		A
MS	01-01-2015	
	Date	Rev.



Project
System details - Clearvison Double

Project no.

Detail no.
W 005

Description
interconnection convex - concave

Scale
1:1

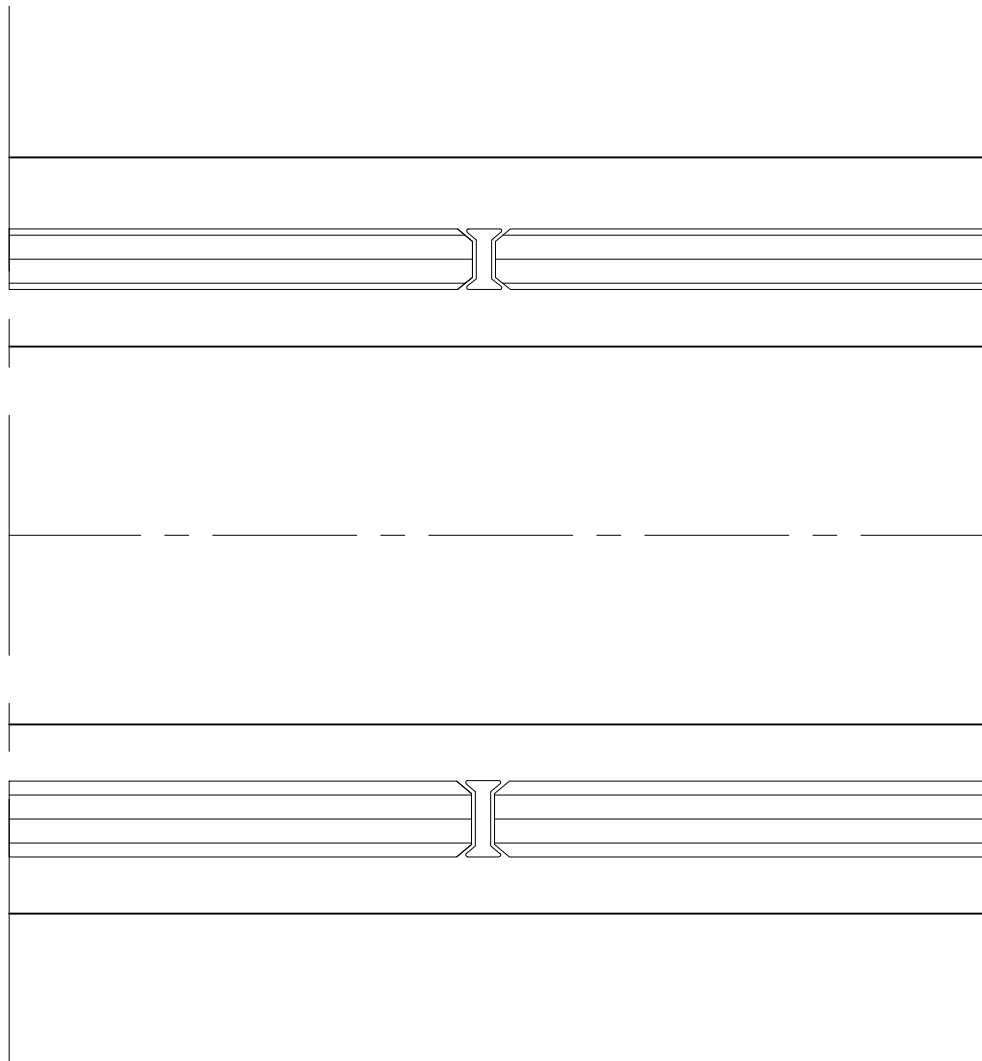
CV100.S.00dB.00!.06.



VERWOL Architectural Walls

Headquarters and production
De Veken 21 +31 - (0)226 36 36 36
1716 KE Opmeer international@verwol.nl
The Netherlands info@verwol.nl www.verwol.nl/en

		F
		E
		D
		C
		B
		A
MS	01-01-2015	
	Date	Rev.



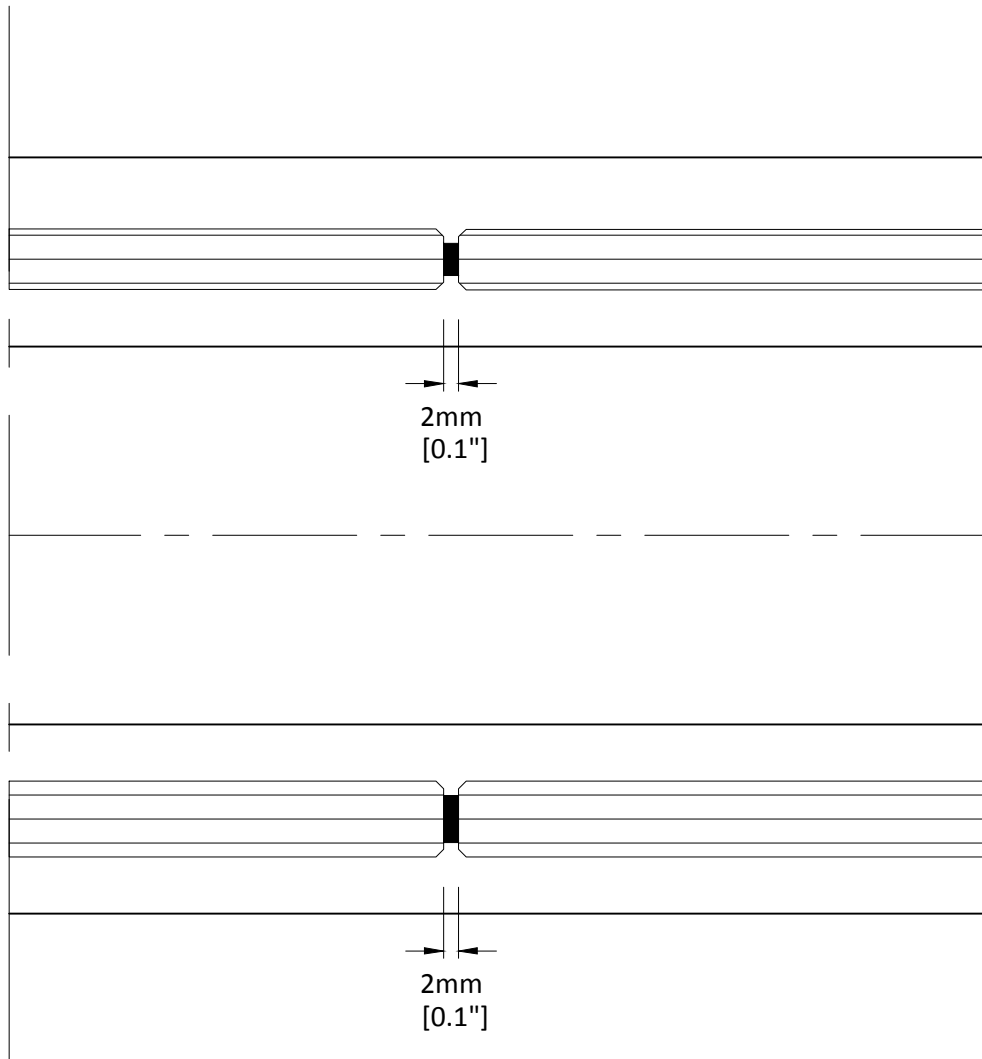
Project System details - Clearvision Double	Project no.	Detail no. W 006
Description I joint connection	Scale 1:1	CV100.S.00dB.00'.98.



VERWOL Architectural Walls

Headquarters and production
 De Veken 21 +31 - (0)226 36 36 36
 1716 KE Opmeer international@verwol.nl
 The Netherlands www.verwol.nl/en

		F
		E
		D
		C
		B
		A
MS	01-01-2015	
	Date	Rev.



Project
System details - Clearvision Double

Project no.

Detail no.
W 007

Description
dry connection

Scale
1:1

CV100.S.00dB.00'.99.



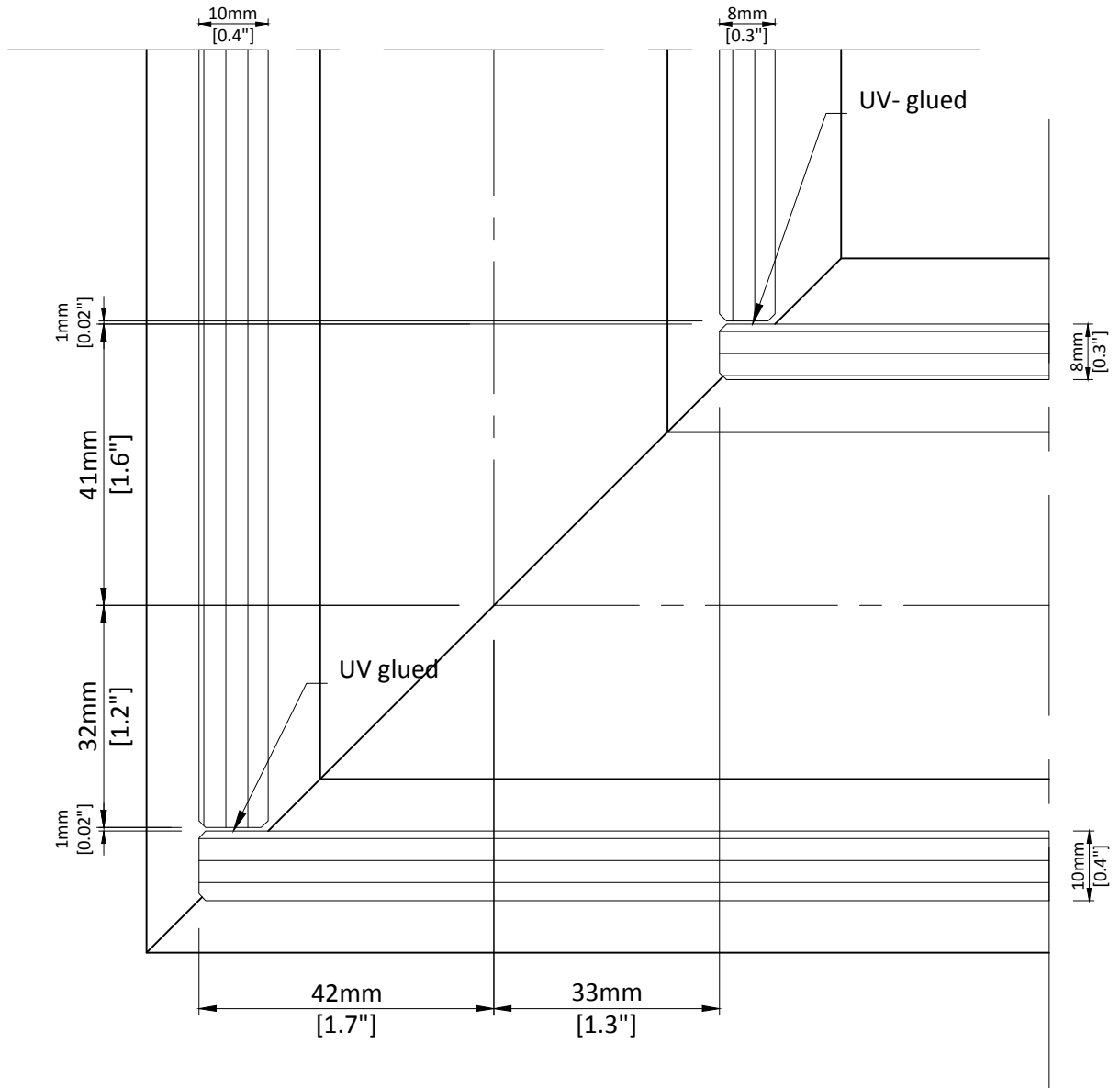
VERWOL Architectural Walls

Headquarters and production

De Veken 21
1716 KE Opmeer
The Netherlands

+31 - (0)226 36 36 36
international@verwol.nl
www.verwol.nl/en

		F
		E
		D
		C
		B
		A
MS	01-01-2015	
	Date	Rev.



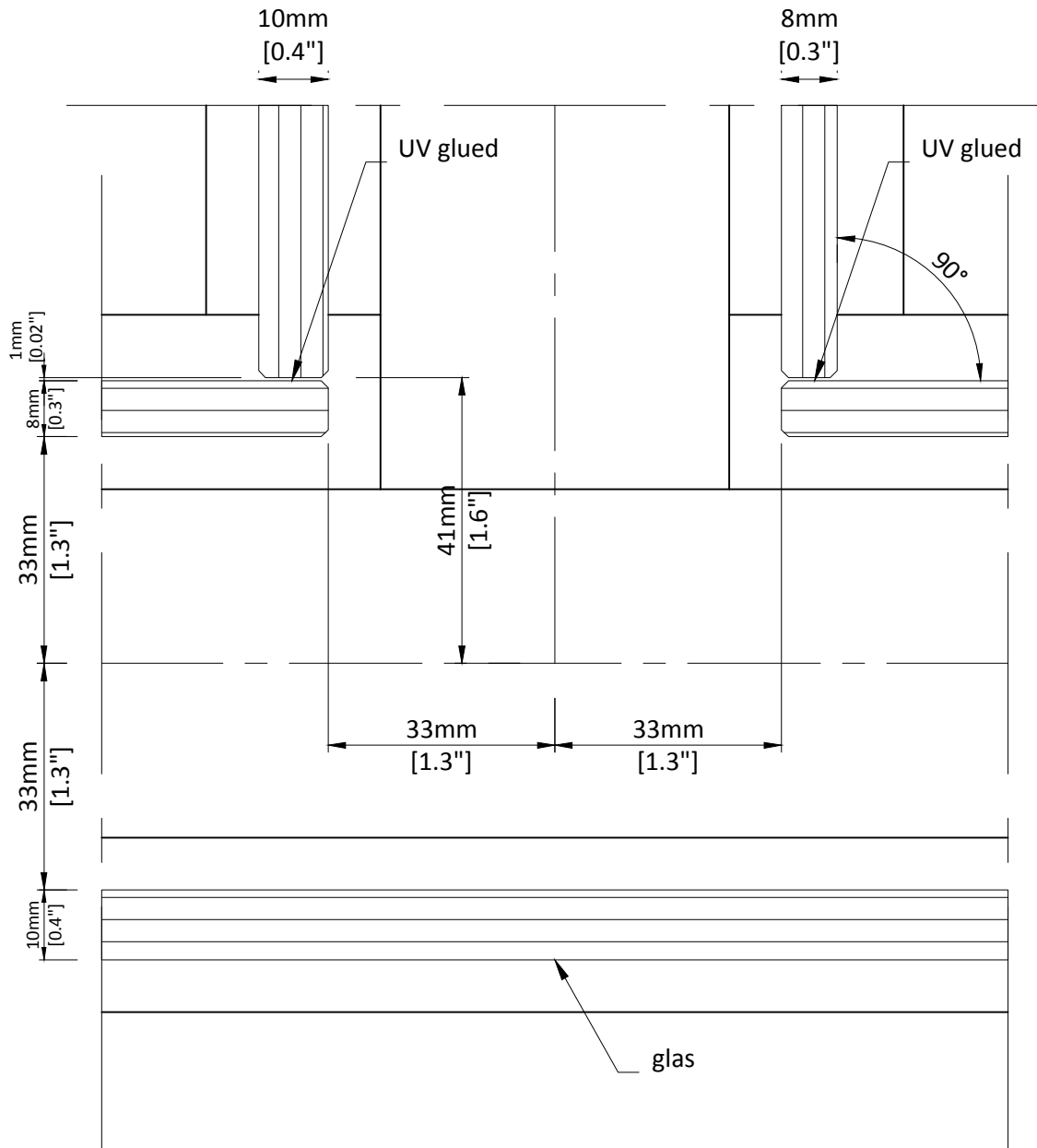
Project System details - Clearvision Double	Project no.	Detail no. W 019
Description 90° angle UV-glued	Scale 1:1	CV100.S.00dB.00[!].07.



VERWOL Architectural Walls

Headquarters and production
 De Veken 21 +31 - (0)226 36 36 36
 1716 KE Opmeer international@verwol.nl
 The Netherlands info@verwol.nl www.verwol.nl/en

		F
		E
		D
		C
		B
		A
MS	01-01-2015	
	Date	Rev.



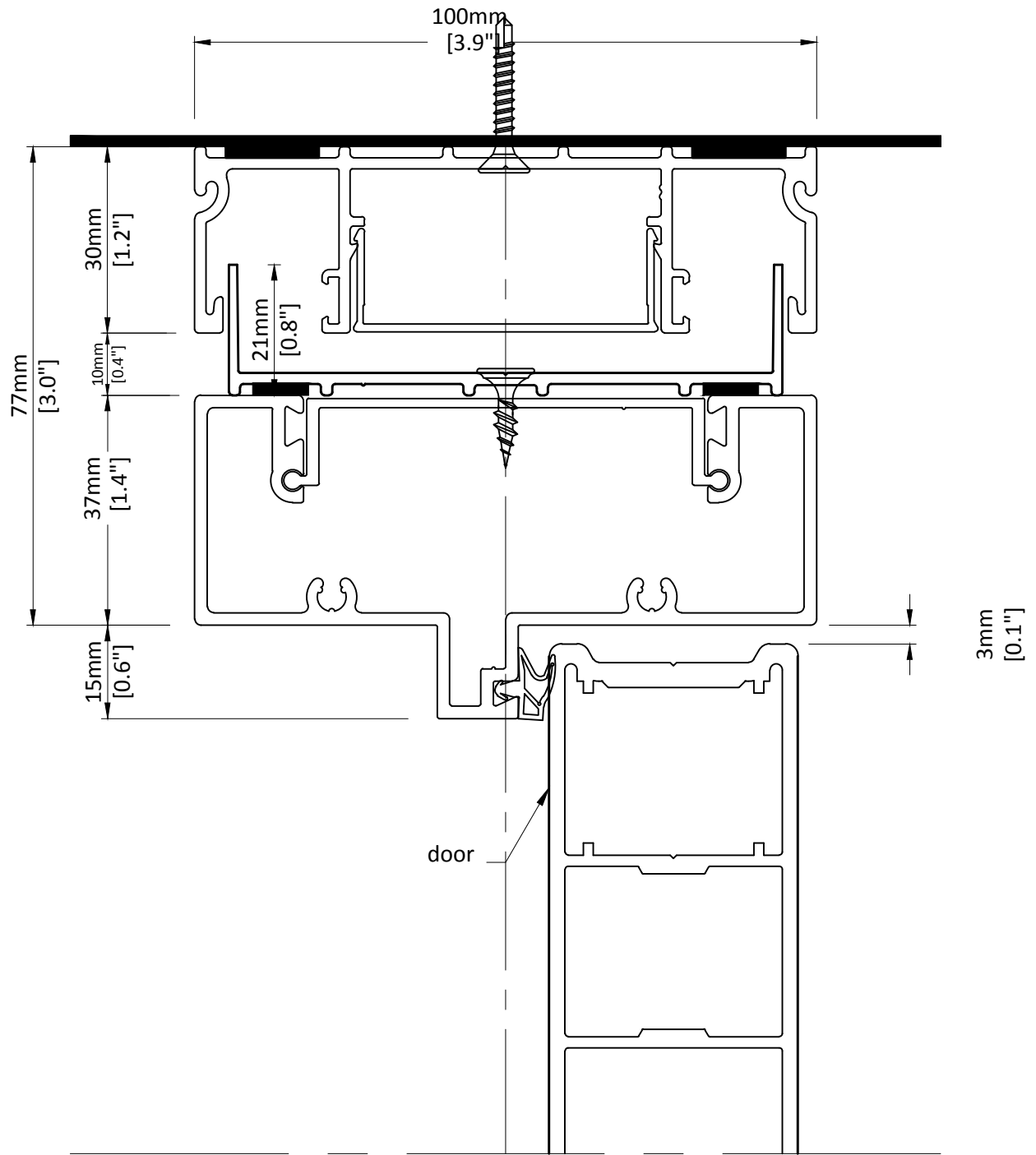
Project System details - Clearvision Double	Project no.	Detail no. W 020
Description open crossconnection UV-glued	Scale 1:1	CV100.S.00dB.00'.08.



VERWOL Architectural Walls

Headquarters and production
 De Veken 21 +31 - (0)226 36 36 36
 1716 KE Opmeer international@verwol.nl
 The Netherlands info@verwol.nl www.verwol.nl/en

		F
		E
		D
		C
		B
		A
MS	01-01-2015	
	Date	Rev.



Project System details - Clearvision Double	Project no.	Detail no. W 008
---	-------------	----------------------------

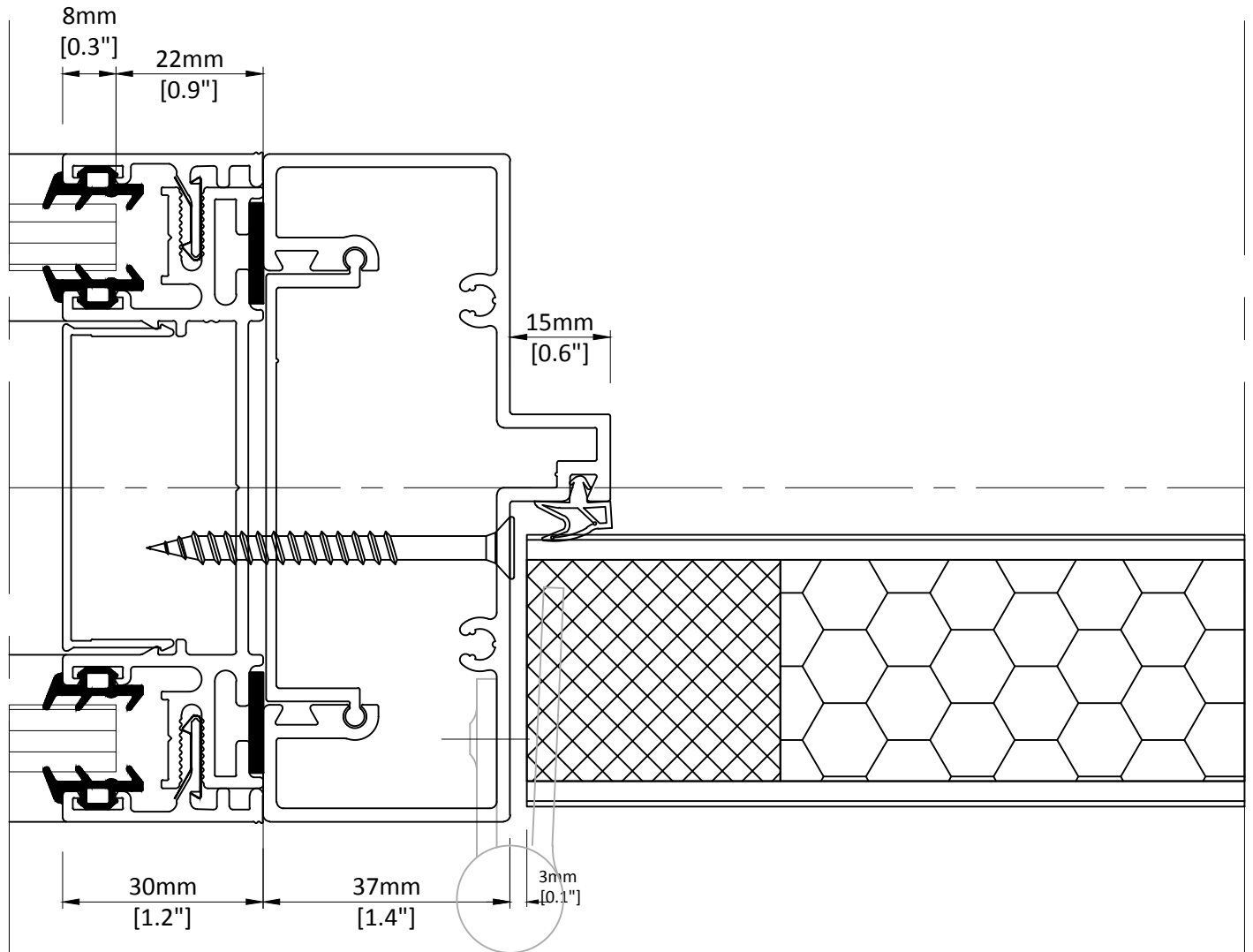
Description head track with doorframe	Scale 1:1	KD100.S.00dB.00'.14.-
--	--------------	-----------------------



VERWOL Architectural Walls

Headquarters and production
 De Veken 21 +31 - (0)226 36 36 36
 1716 KE Opmeer international@verwol.nl
 The Netherlands www.verwol.nl/en

		F
		E
		D
		C
		B
		A
MS	01-01-2015	
	Date	Rev.



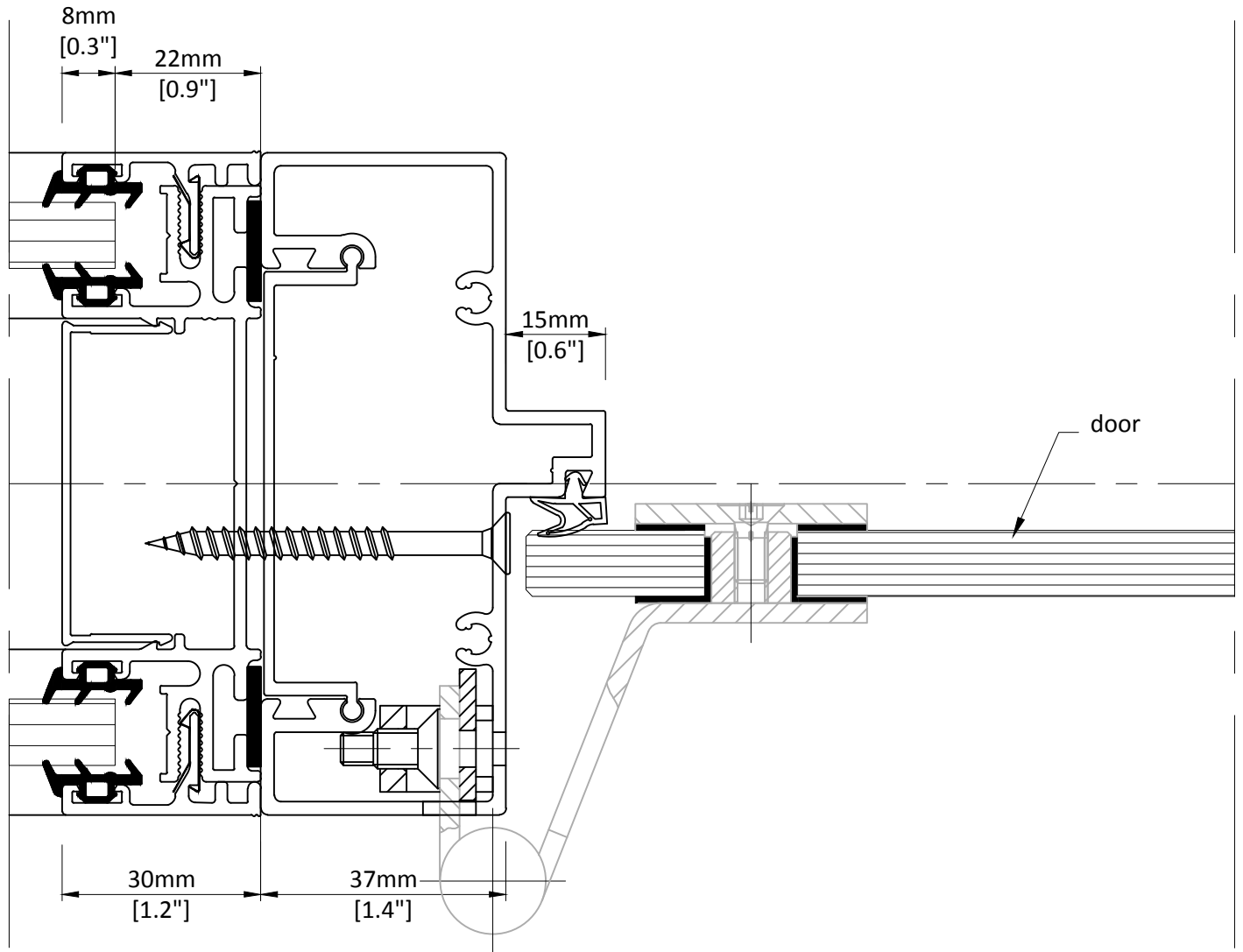
Project System details - Clearvision Double	Project no.	Detail no. W 011B
Description doorframe	Scale 1:1	HD100.S.00dB.00'.21.-



VERWOL Architectural Walls

Headquarters and production
 De Veken 21 +31 - (0)226 36 36 36
 1716 KE Opmeer international@verwol.nl
 The Netherlands info@verwol.nl www.verwol.nl/en

		F
		E
		D
		C
		B
		A
MS	01-01-2015	
	Date	Rev.



Project System details - Clearvision Double	Project no.	Detail no. W 010C
Description doorframe with frameless glazed door	Scale 1:1	GD100.S.00dB.00'.21.-



VERWOL Architectural Walls

Headquarters and production
 De Veken 21 +31 - (0)226 36 36 36
 1716 KE Opmeer international@verwol.nl
 The Netherlands www.verwol.nl/en

		F
		E
		D
		C
		B
		A
MS	01-01-2015	
	Date	Rev.