

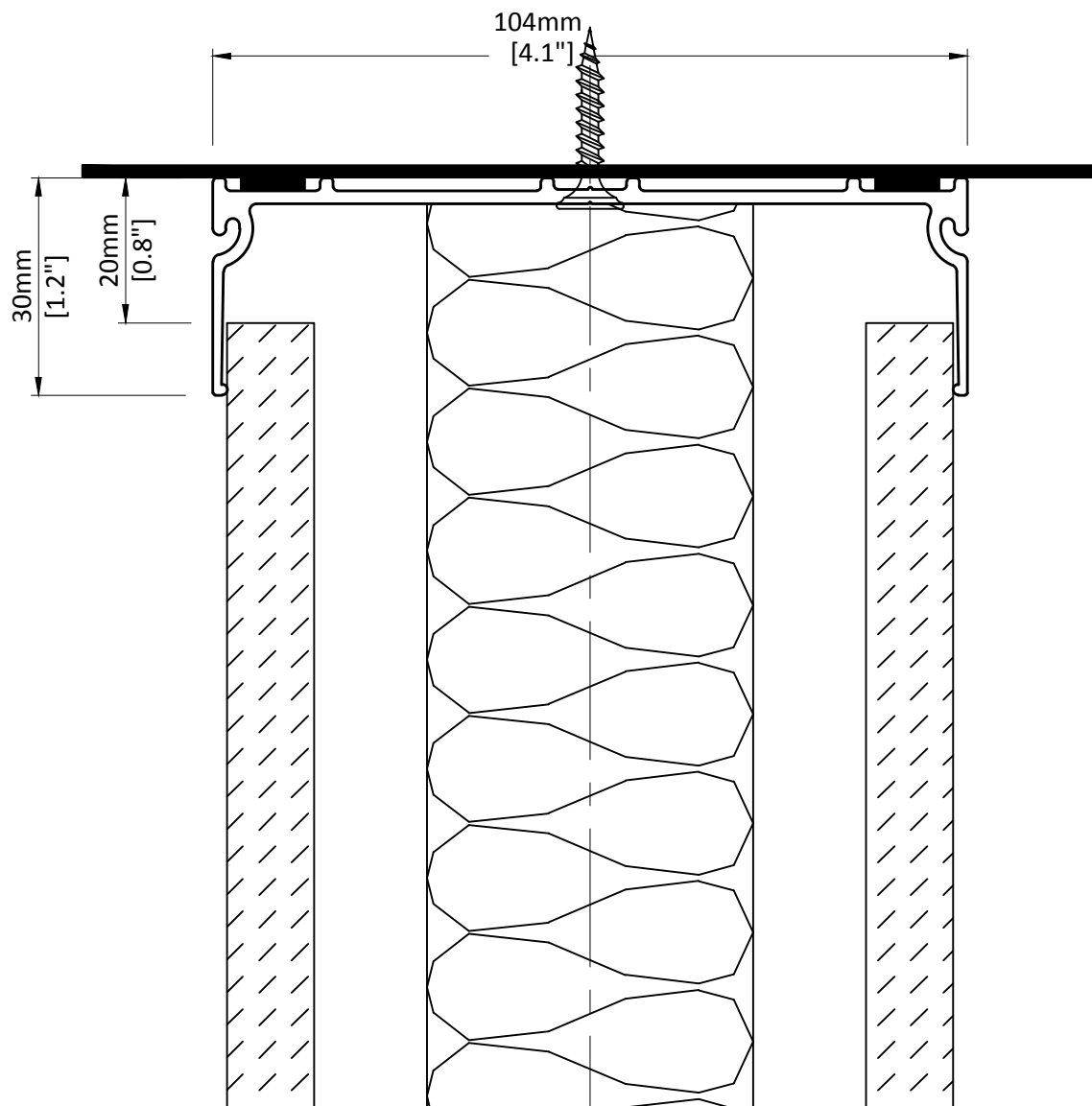
Project <b>System details - Panels</b>	Project no.	Detail no. <b>W 000</b>
Description Overview	Scale 1:1	



# VERWOL Architectural Walls

Headquarters and production  
 De Veken 21 +31 - (0)226 36 36 36  
 1716 KE Opmeer international@verwol.nl  
 The Netherlands www.verwol.nl/en

		F
		E
		D
		C
		B
		A
RS	01-01-2015	
	Date	Rev.



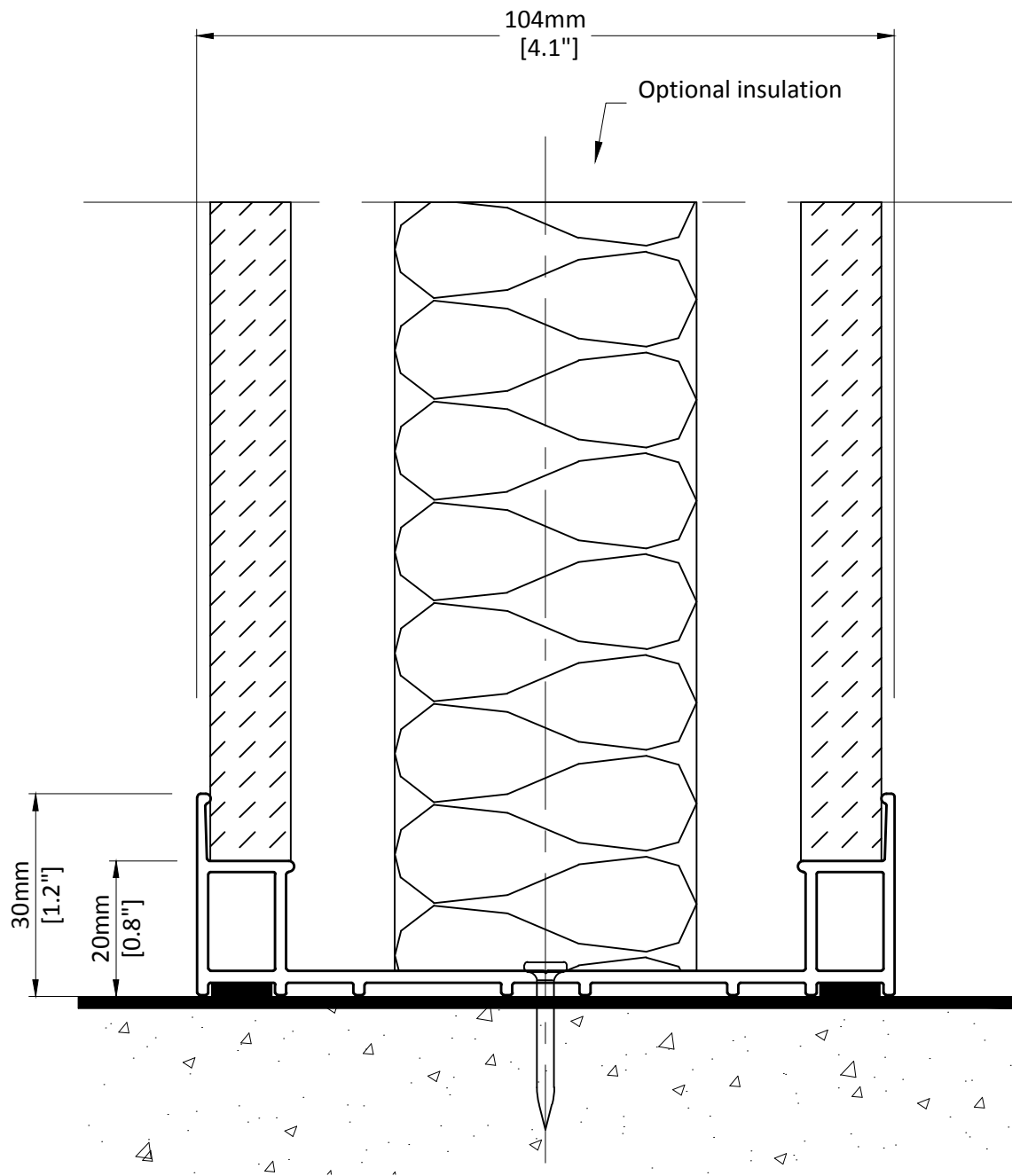
Project <b>System details - Panels</b>	Project no.	Detail no. <b>W 001</b>
Description Head track	Scale 1:1	T100.S.00dB.00'.151.-



# VERWOL Architectural Walls

Headquarters and production  
 De Veken 21 +31 - (0)226 36 36 36  
 1716 KE Opmeer international@verwol.nl  
 The Netherlands www.verwol.nl/en

		F
		E
		D
		C
		B
		A
MS	01-01-2015	
	Date	Rev.



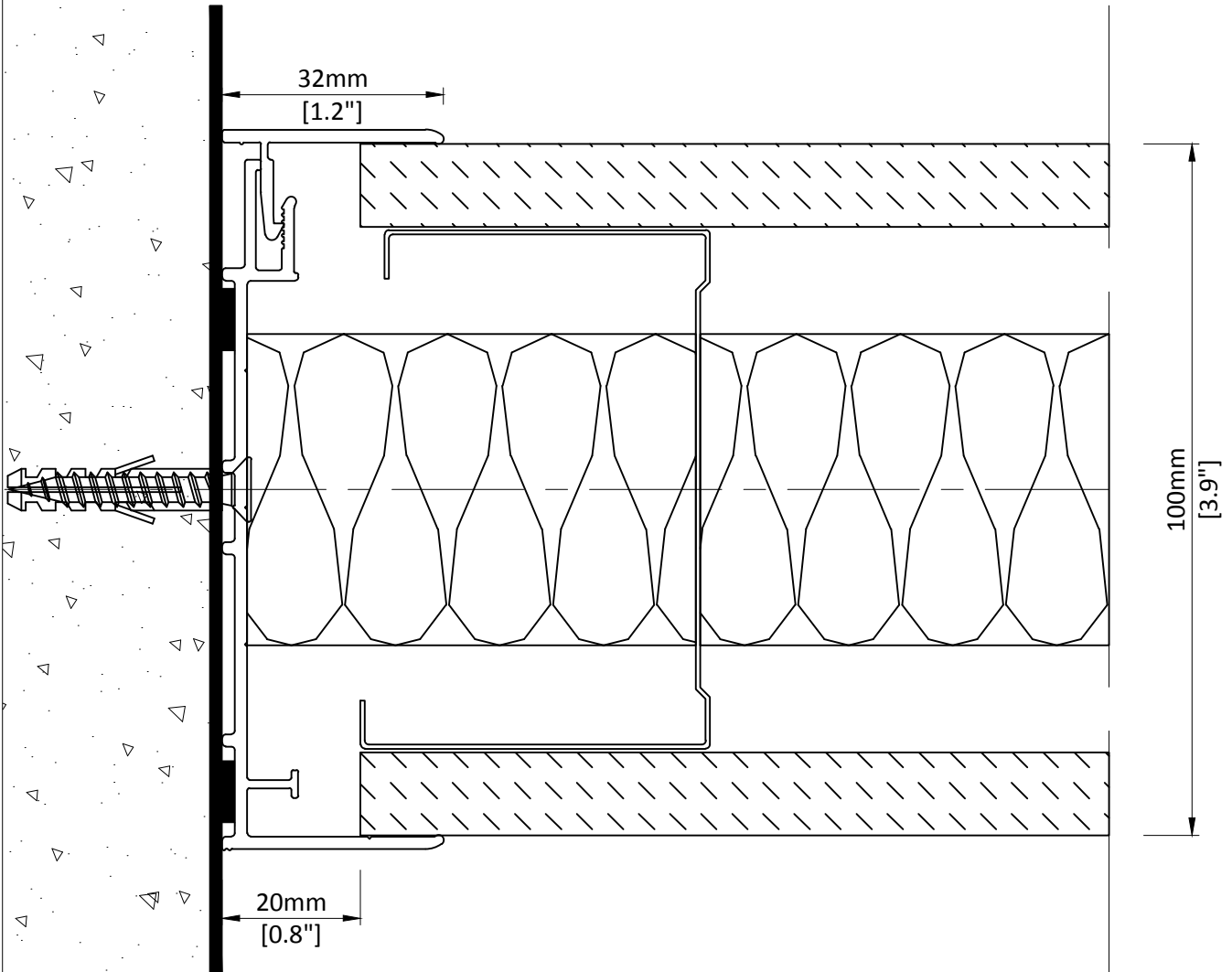
Project <b>System details - Panels</b>	Project no.	Detail no. <b>W 002</b>
Description Base track	Scale 1:1	T100.S.00dB.00'.154.-



# VERWOL Architectural Walls

Headquarters and production  
 De Veken 21 +31 - (0)226 36 36 36  
 1716 KE Opmeer international@verwol.nl  
 The Netherlands www.verwol.nl/en

		F
		E
		D
		C
		B
		A
MS	01-01-2015	
	Date	Rev.



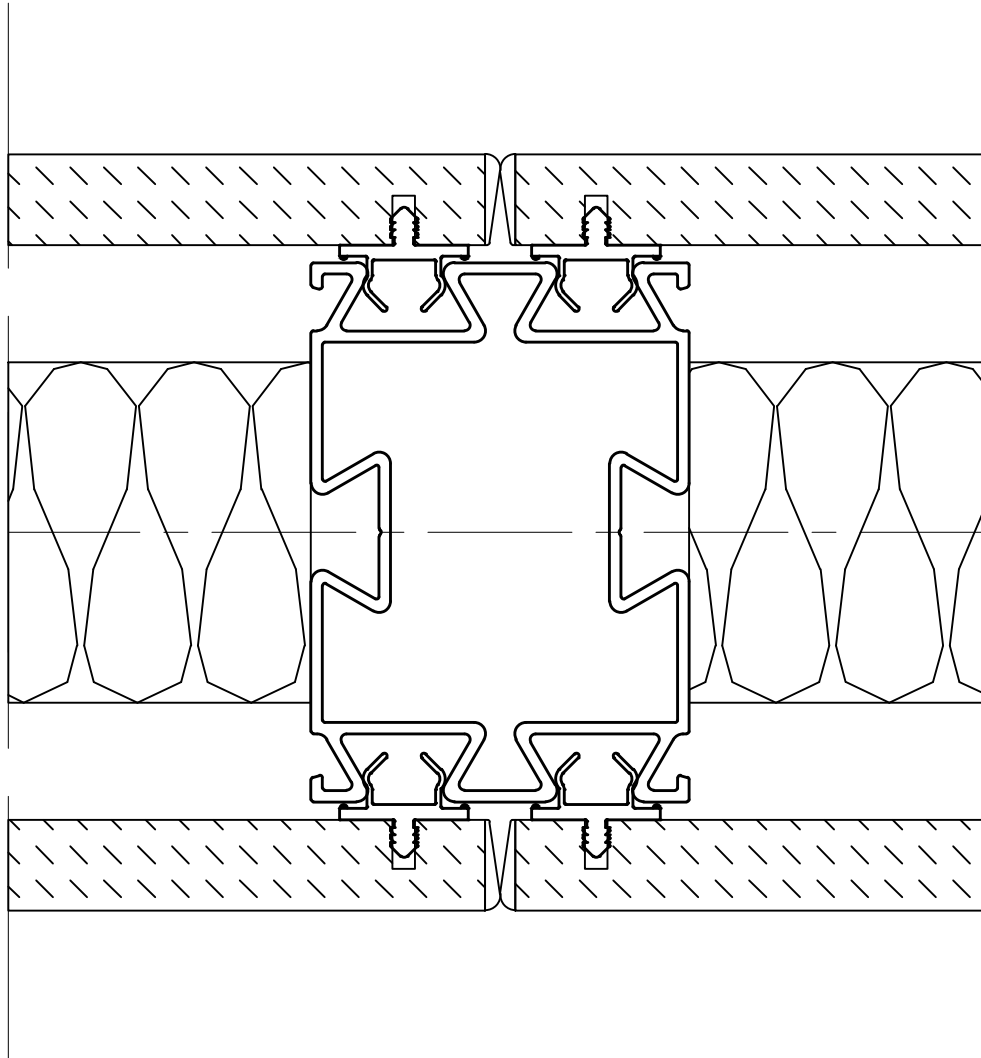
Project <b>System details - Panels</b>	Project no.	Detail no. <b>W 003</b>
Description wall abutment (click)	Scale 1:1	T100.S.00dB.00'.158.-



# VERWOL Architectural Walls

Headquarters and production  
 De Veken 21 +31 - (0)226 36 36 36  
 1716 KE Opmeer international@verwol.nl  
 The Netherlands www.verwol.nl/en

		F
		E
		D
		C
		B
		A
MS	01-01-2015	
	Date	Rev.



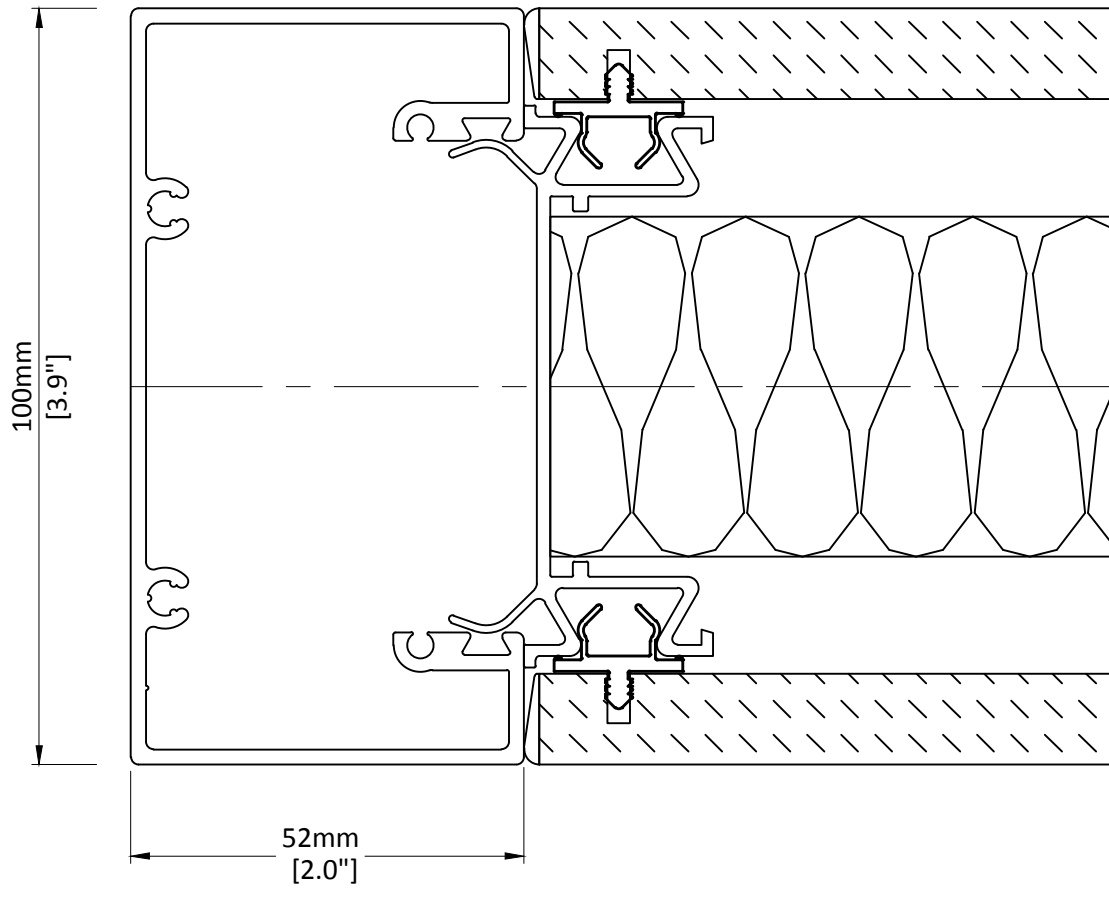
Project <b>System details - Panels</b>	Project no.	Detail no. <b>W 004</b>
Description concealed interconnection (0mm seam)	Scale 1:1	V100.S.00dB.00'.151.-



## VERWOL Architectural Walls

Headquarters and production  
 De Veken 21 +31 - (0)226 36 36 36  
 1716 KE Opmeer international@verwol.nl  
 The Netherlands www.verwol.nl/en

		F
		E
		D
		C
		B
		A
MS	01-01-2015	
	Date	Rev.



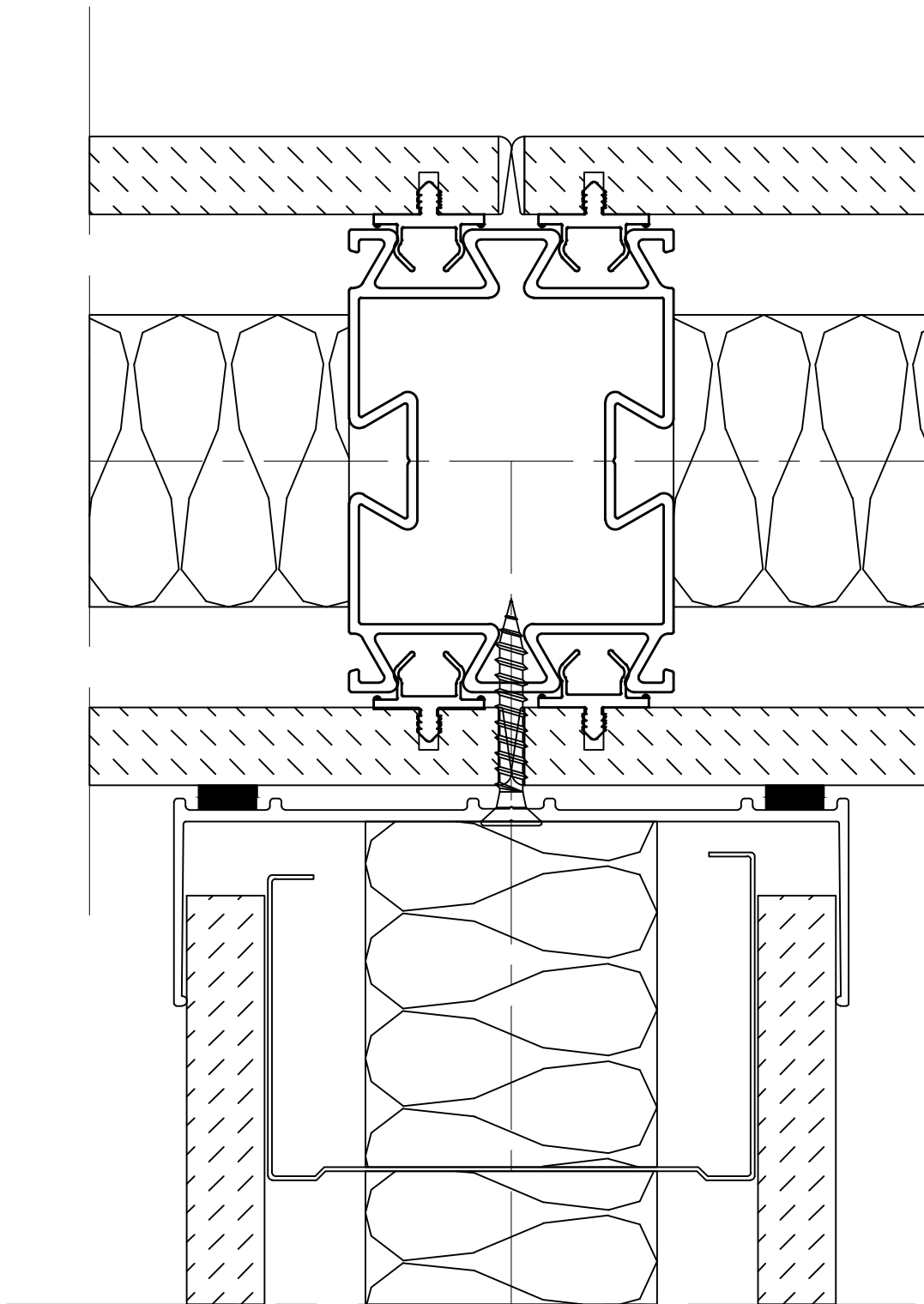
Project <b>System details - Panels</b>	Project no.	Detail no. <b>W 006</b>
Description End post	Scale 1:1	Ovoeg.S.00dB.00'.167.-



# VERWOL Architectural Walls

Headquarters and production  
 De Veken 21 +31 - (0)226 36 36 36  
 1716 KE Opmeer international@verwol.nl  
 The Netherlands www.verwol.nl/en

		F
		E
		D
		C
		B
		A
MS	01-01-2015	
	Date	Rev.



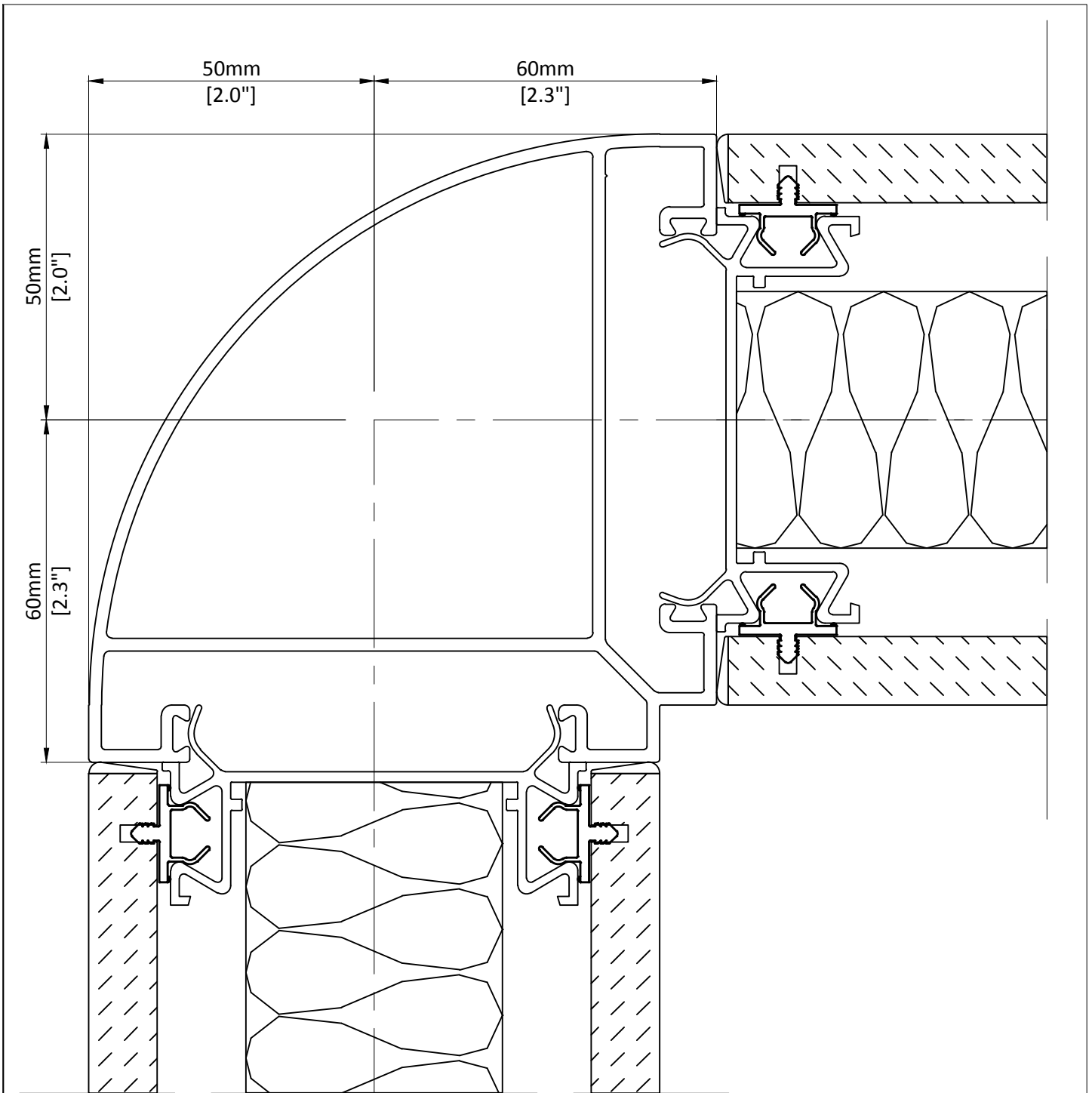
Project <b>System details - Panels</b>	Project no.	Detail no. <b>W 007</b>
Description cross connection	Scale 1:1	V100.S.00dB.00'.152.-



# VERWOL Architectural Walls

Headquarters and production  
 De Veken 21 +31 - (0)226 36 36 36  
 1716 KE Opmeer international@verwol.nl  
 The Netherlands www.verwol.nl/en

		F
		E
		D
		C
		B
		A
MS	01-01-2015	
	Date	Rev.



Project <b>System details - Panels</b>	Project no.	Detail no. <b>W 008</b>
Description 90° angle	Scale 1:1	Ovoeg.S.00dB.00'.168.-

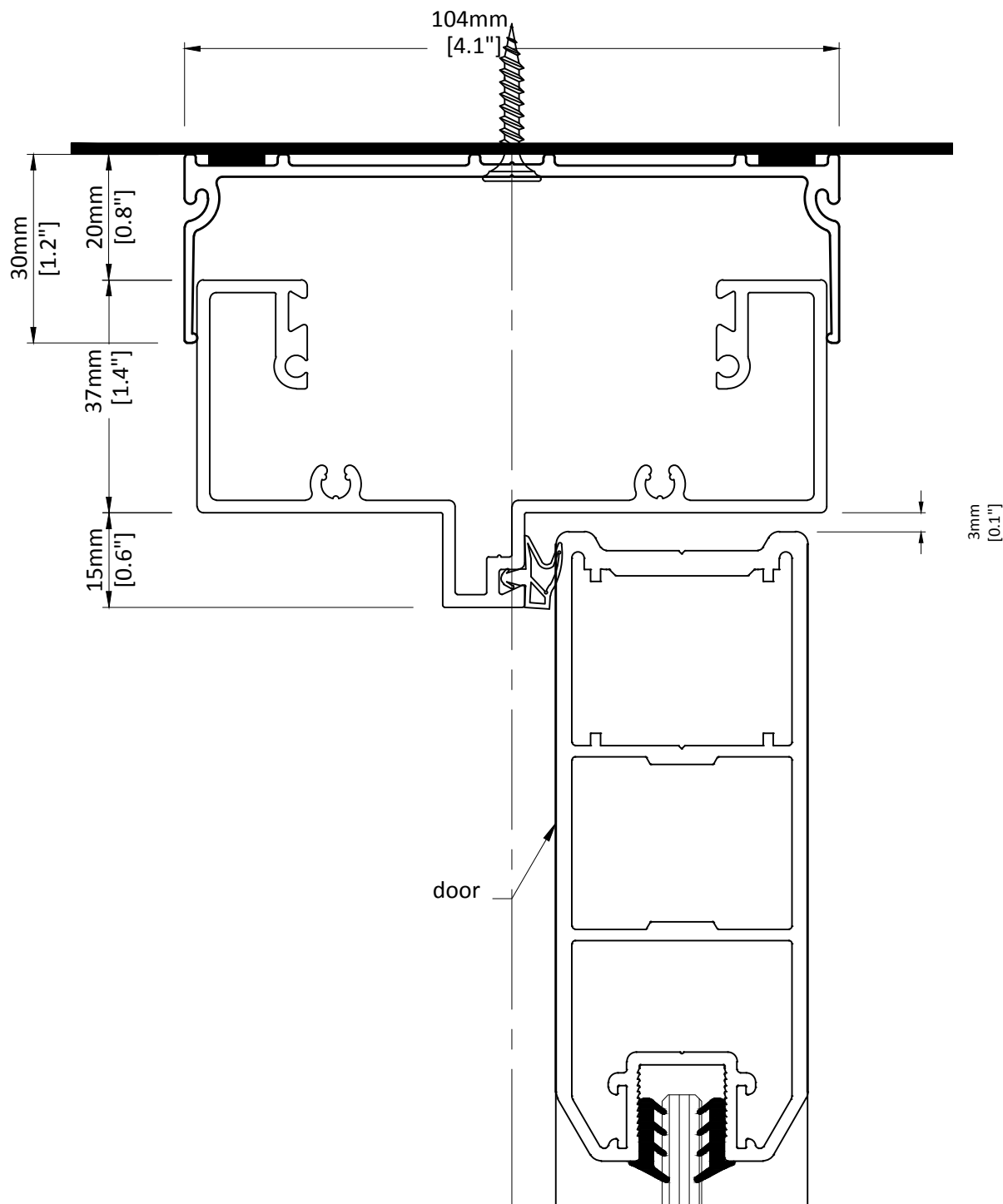


# VERWOL Architectural Walls

Headquarters and production  
 De Veken 21 +31 - (0)226 36 36 36  
 1716 KE Opmeer international@verwol.nl  
 The Netherlands www.verwol.nl/en

		F
		E
		D
		C
		B
		A
MS	01-01-2015	
	Date	Rev.





Project  
System details - Panels

Project no.

Detail no.  
**W 011**

Description  
Head track and doorframe

Scale  
1:1

KD100.S.00dB.00'.11.-



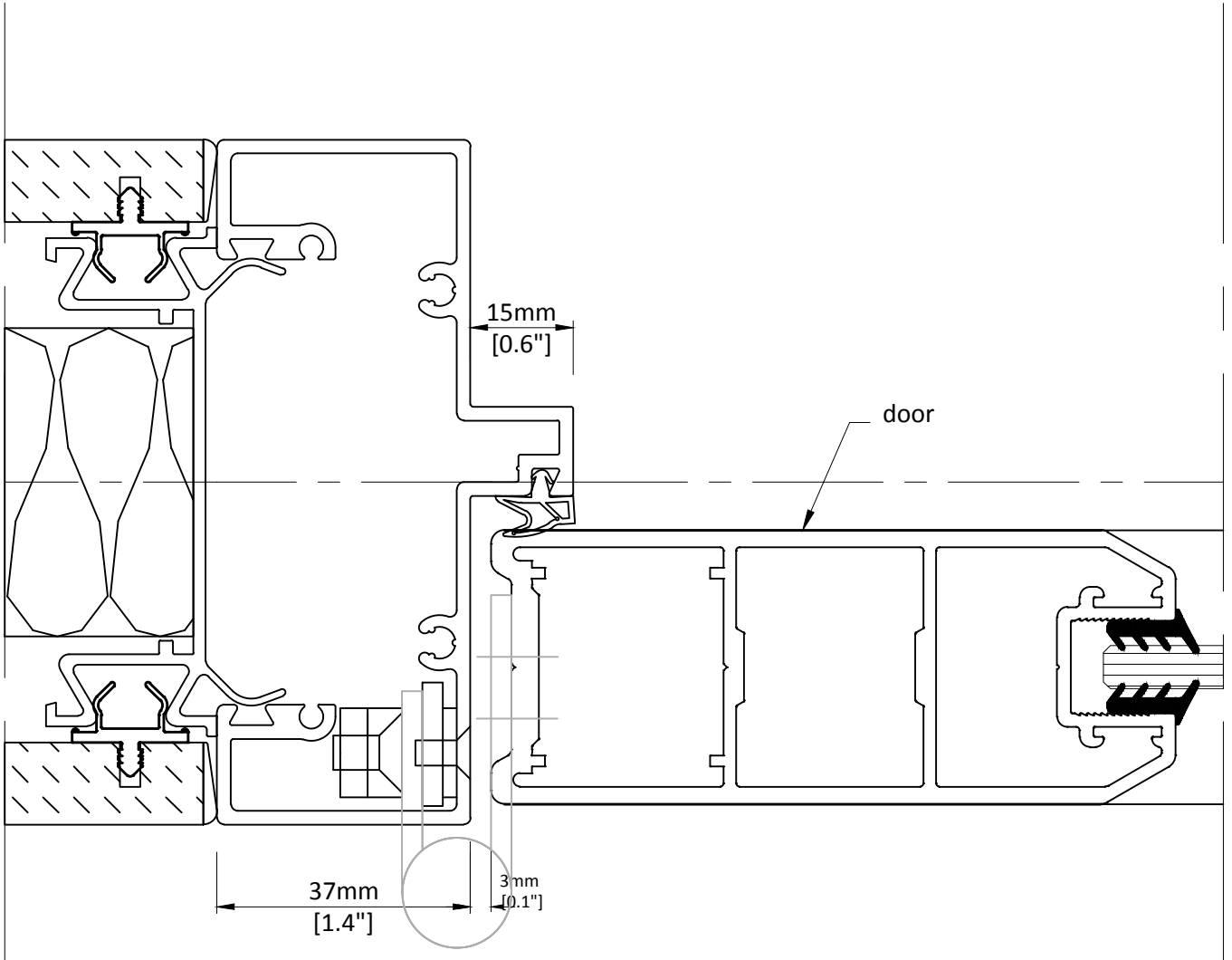
# VERWOL Architectural Walls

Headquarters and production

De Veken 21  
1716 KE Opmeer  
The Netherlands

+31 - (0)226 36 36 36  
international@verwol.nl  
www.verwol.nl/en

		F
		E
		D
		C
		B
		A
MS	01-01-2015	
	Date	Rev.



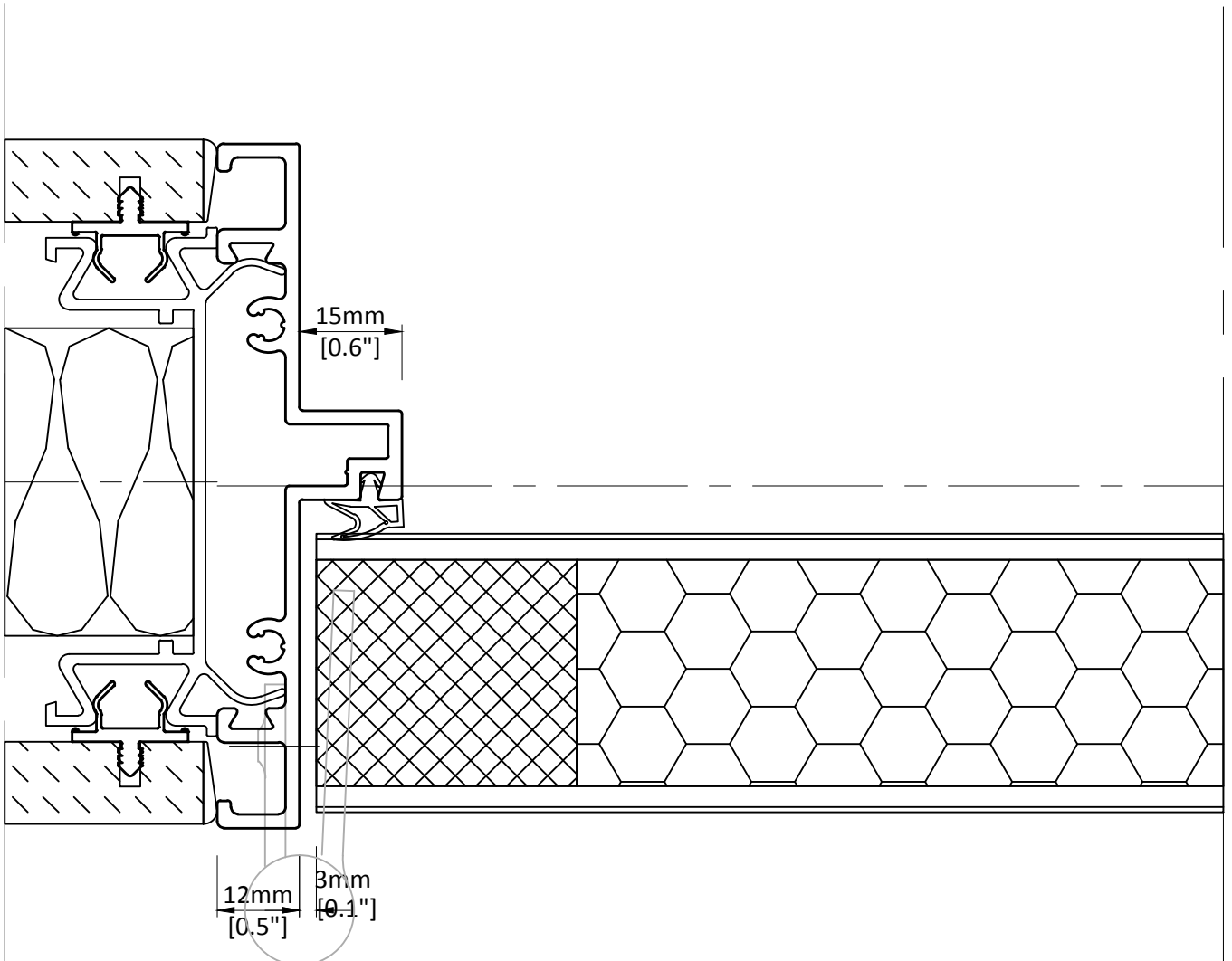
Project <b>System details - Panels</b>	Project no.	Detail no. <b>W 013</b>
Description doorframe	Scale 1:1	KD100.S.00dB.00'.21.-



# VERWOL Architectural Walls

Headquarters and production  
 De Veken 21 +31 - (0)226 36 36 36  
 1716 KE Opmeer international@verwol.nl  
 The Netherlands www.verwol.nl/en

		F
		E
		D
		C
		B
		A
MS	01-01-2015	
	Date	Rev.



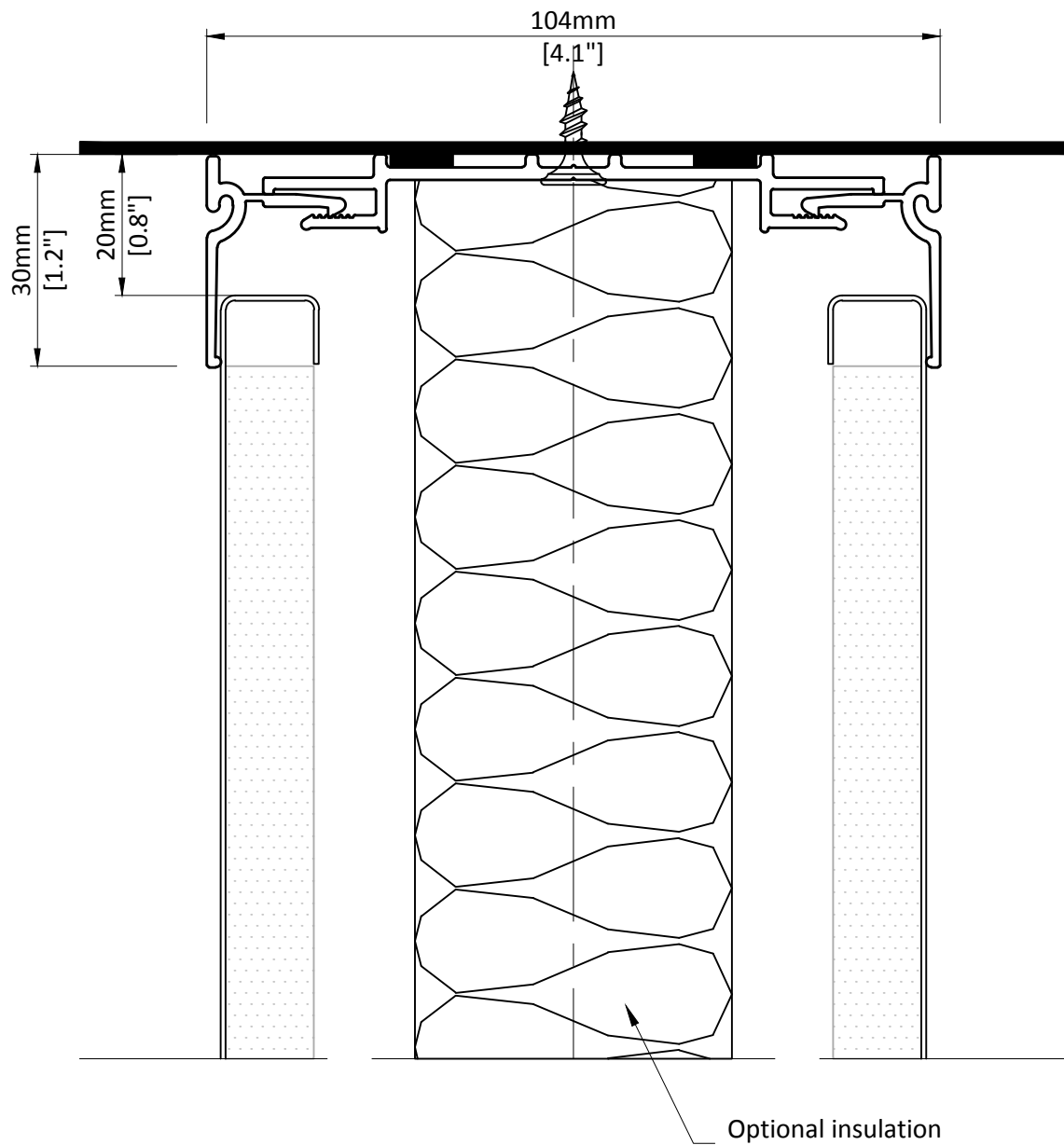
Project <b>System details - Panels</b>	Project no.	Detail no. <b>W 013B</b>
Description slim doorframe (only to combine with timber doors)	Scale 1:1	HD100.S.00dB.00'.025.



# VERWOL Architectural Walls

Headquarters and production  
 De Veken 21 +31 - (0)226 36 36 36  
 1716 KE Opmeer international@verwol.nl  
 The Netherlands www.verwol.nl/en

		F
		E
		D
		C
		B
		A
MS	01-01-2015	
	Date	Rev.



Project  
System details - Panels (steel)

Project no.

Detail no.  
**W S01**

Description  
Head track

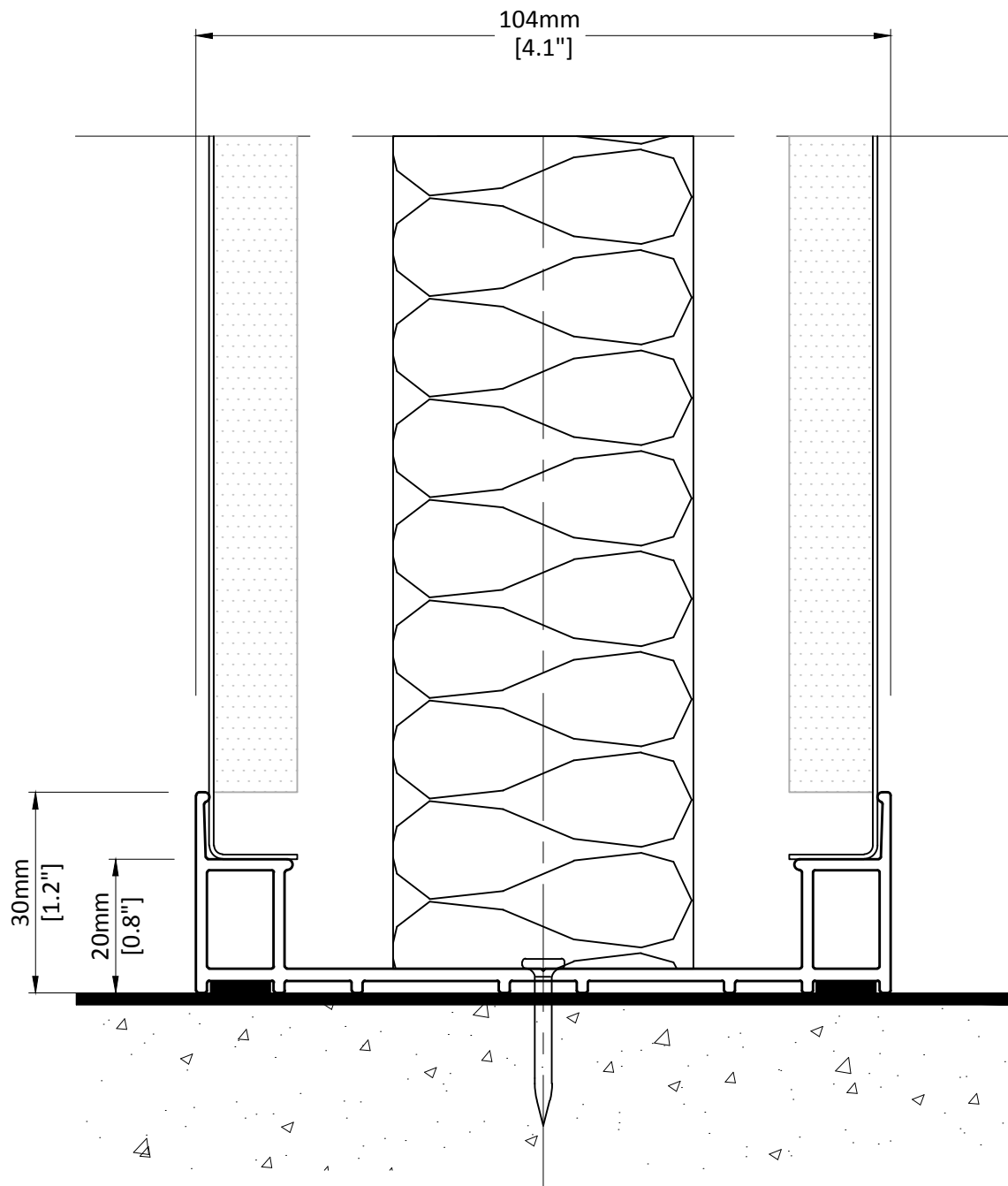
Scale  
1:1



# VERWOL Architectural Walls

Headquarters and production  
De Veken 21 +31 - (0)226 36 36 36  
1716 KE Opmeer international@verwol.nl  
The Netherlands info@verwol.nl www.verwol.nl/en

		F
		E
		D
		C
		B
		A
MS	01-01-2015	
	Date	Rev.



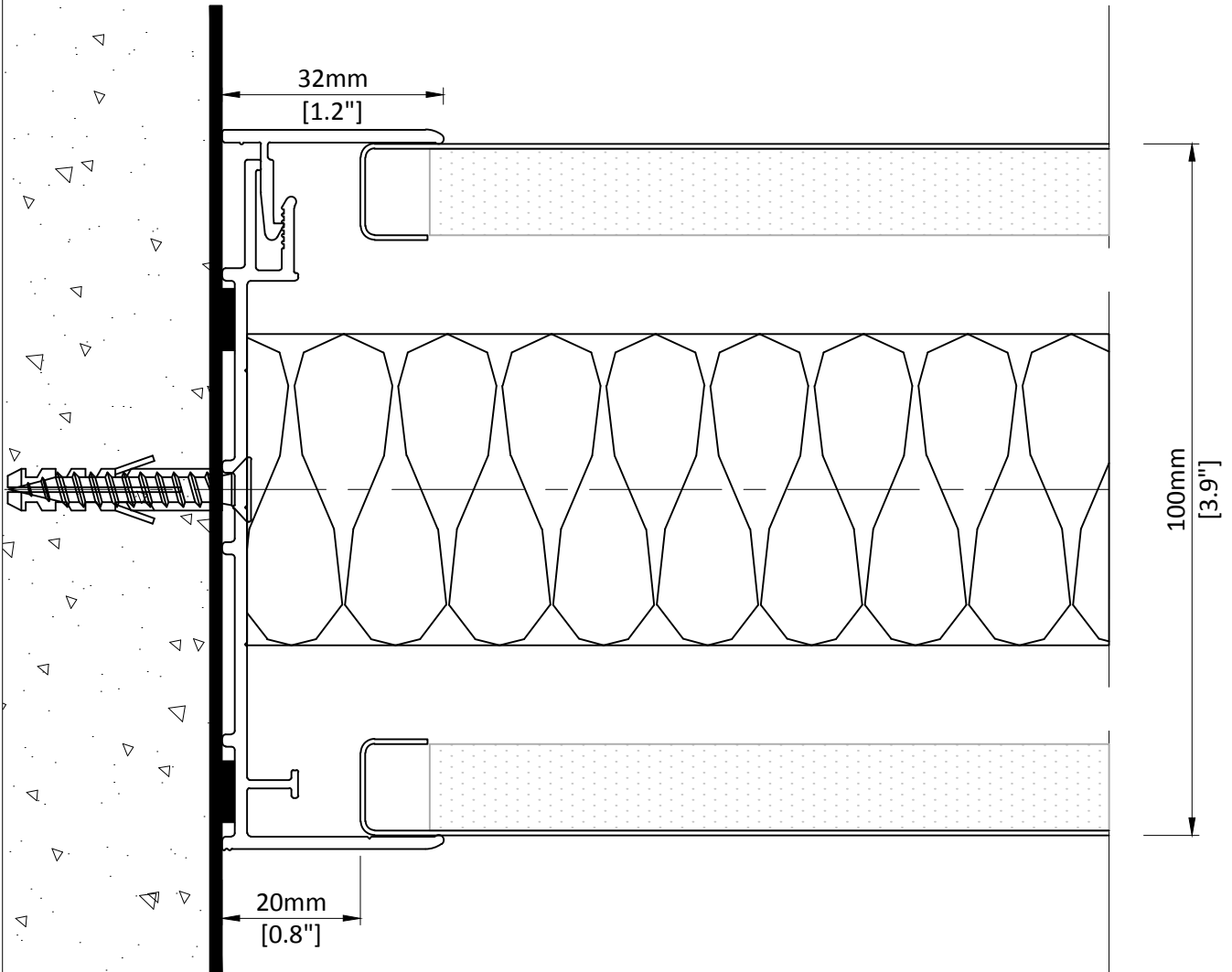
Project <b>System details - Panels (steel)</b>	Project no.	Detail no. <b>W S02</b>
Description Base track	Scale 1:1	



# VERWOL Architectural Walls

Headquarters and production  
 De Veken 21 +31 - (0)226 36 36 36  
 1716 KE Opmeer international@verwol.nl  
 The Netherlands info@verwol.nl www.verwol.nl/en

		F
		E
		D
		C
		B
		A
MS	01-01-2015	
	Date	Rev.



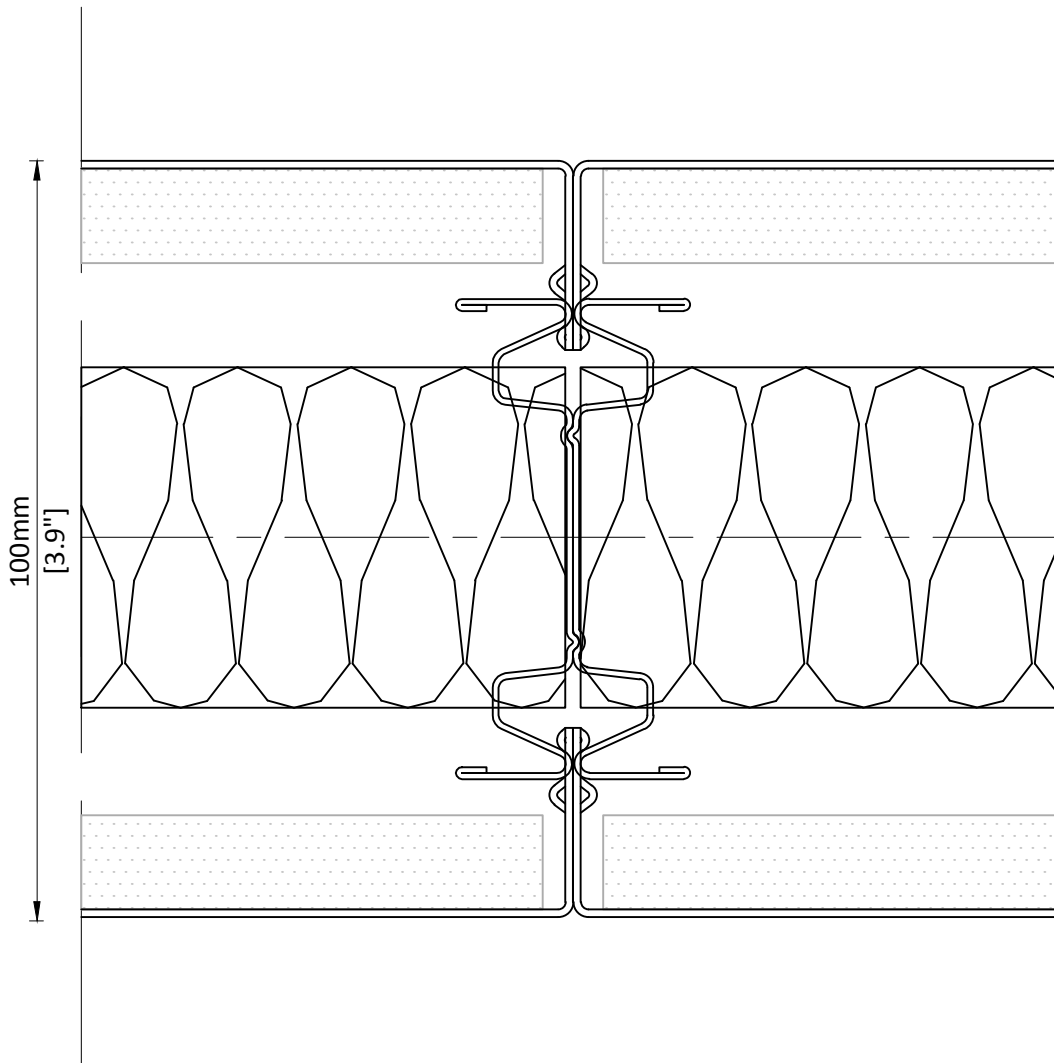
Project <b>System details - Panels (steel)</b>	Project no.	Detail no. <b>W S03</b>
Description wall abutment	Scale 1:1	0voeg.S.00dB.00'.62.-



# VERWOL Architectural Walls

Headquarters and production  
 De Veken 21 +31 - (0)226 36 36 36  
 1716 KE Opmeer international@verwol.nl  
 The Netherlands info@verwol.nl www.verwol.nl/en

		F
		E
		D
		C
		B
		A
MS	01-01-2015	
	Date	Rev.



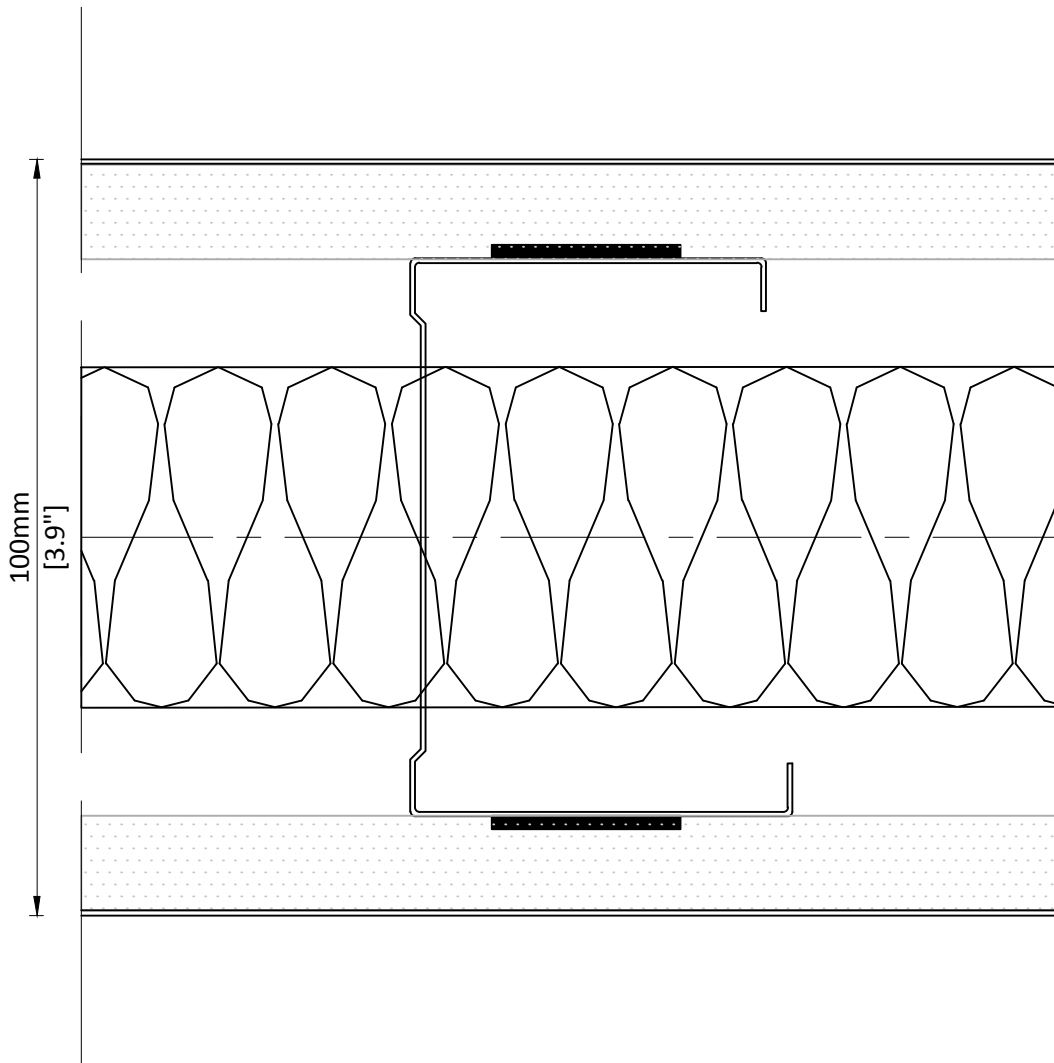
Project <b>System details - Panels (steel)</b>	Project no.	Detail no. <b>W S04</b>
Description interconnection	Scale 1:1	0voeg.S.00dB.00'.055.-



# VERWOL Architectural Walls

Headquarters and production  
 De Veken 21 +31 - (0)226 36 36 36  
 1716 KE Opmeer international@verwol.nl  
 The Netherlands info@verwol.nl www.verwol.nl/en

		F
		E
		D
		C
		B
		A
MS	01-01-2015	
	Date	Rev.



Project  
System details - Panels (steel)

Project no.

Detail no.  
**W S05**

Description

Scale  
1:1

0voeg.S.00dB.00'.056.-

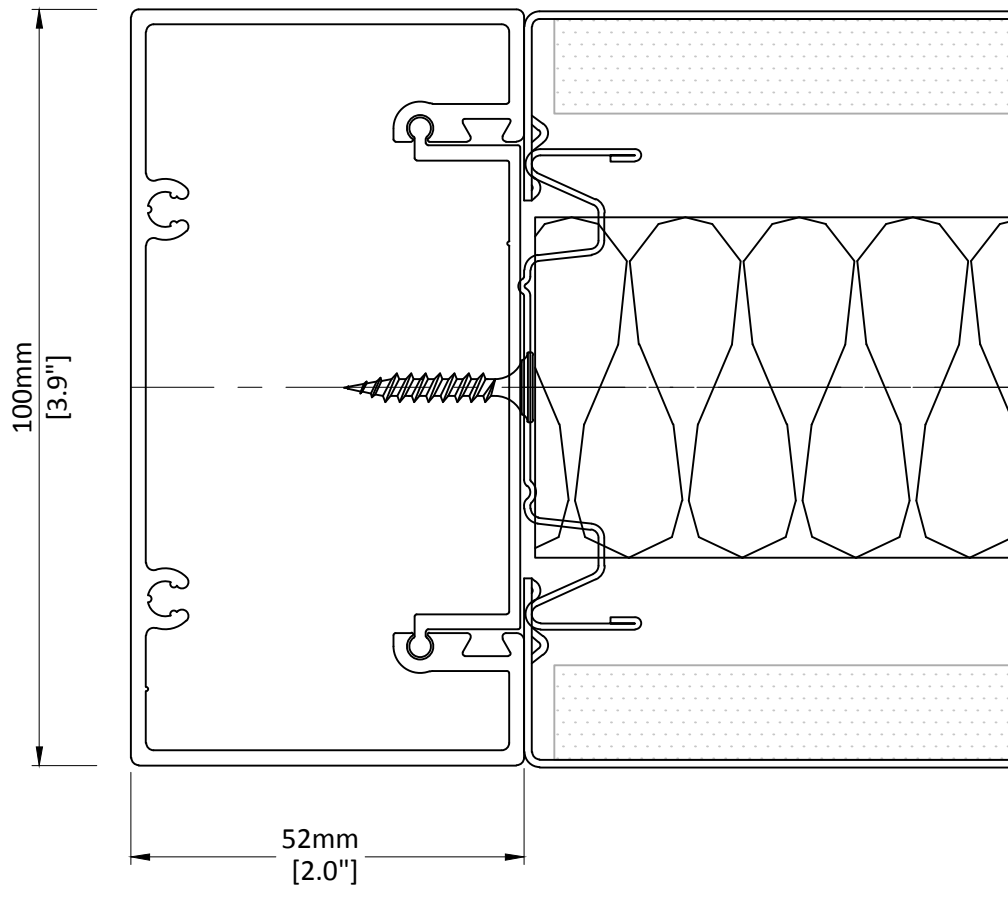


# VERWOL Architectural Walls

Headquarters and production  
De Veken 21 +31 - (0)226 36 36 36  
1716 KE Opmeer international@verwol.nl  
The Netherlands www.verwol.nl/en

		F
		E
		D
		C
		B
		A
MS	01-01-2015	
	Date	Rev.





Project  
System details - Panels (steel)

Project no.

Detail no.  
**W S06**

Description  
Endpost

Scale  
1:1

Ovoeg,S.00dB.00'.67.-



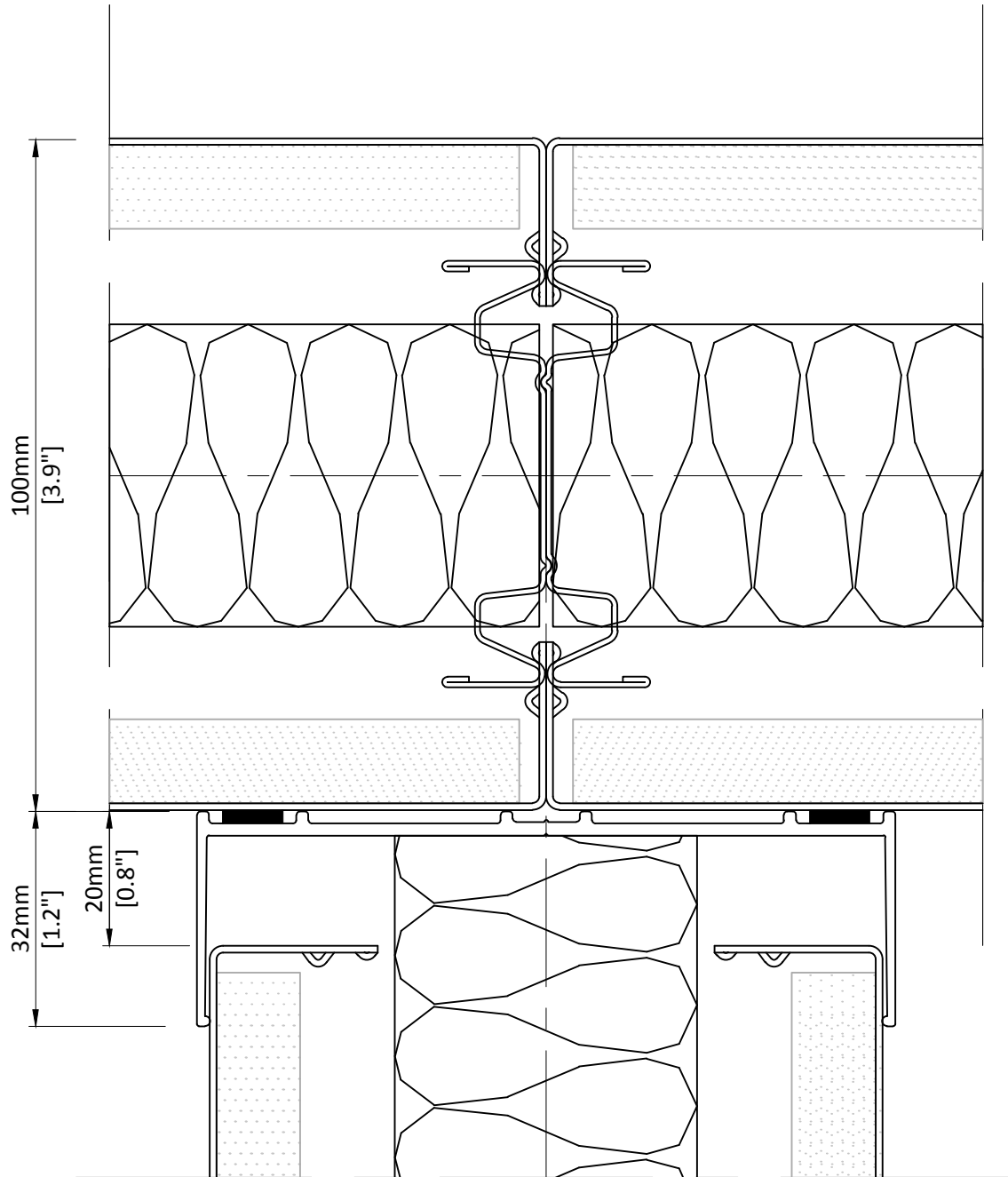
# VERWOL Architectural Walls

Headquarters and production

De Veken 21  
1716 KE Opmeer  
The Netherlands

+31 - (0)226 36 36 36  
international@verwol.nl  
www.verwol.nl/en

		F
		E
		D
		C
		B
		A
MS	01-01-2015	
	Date	Rev.



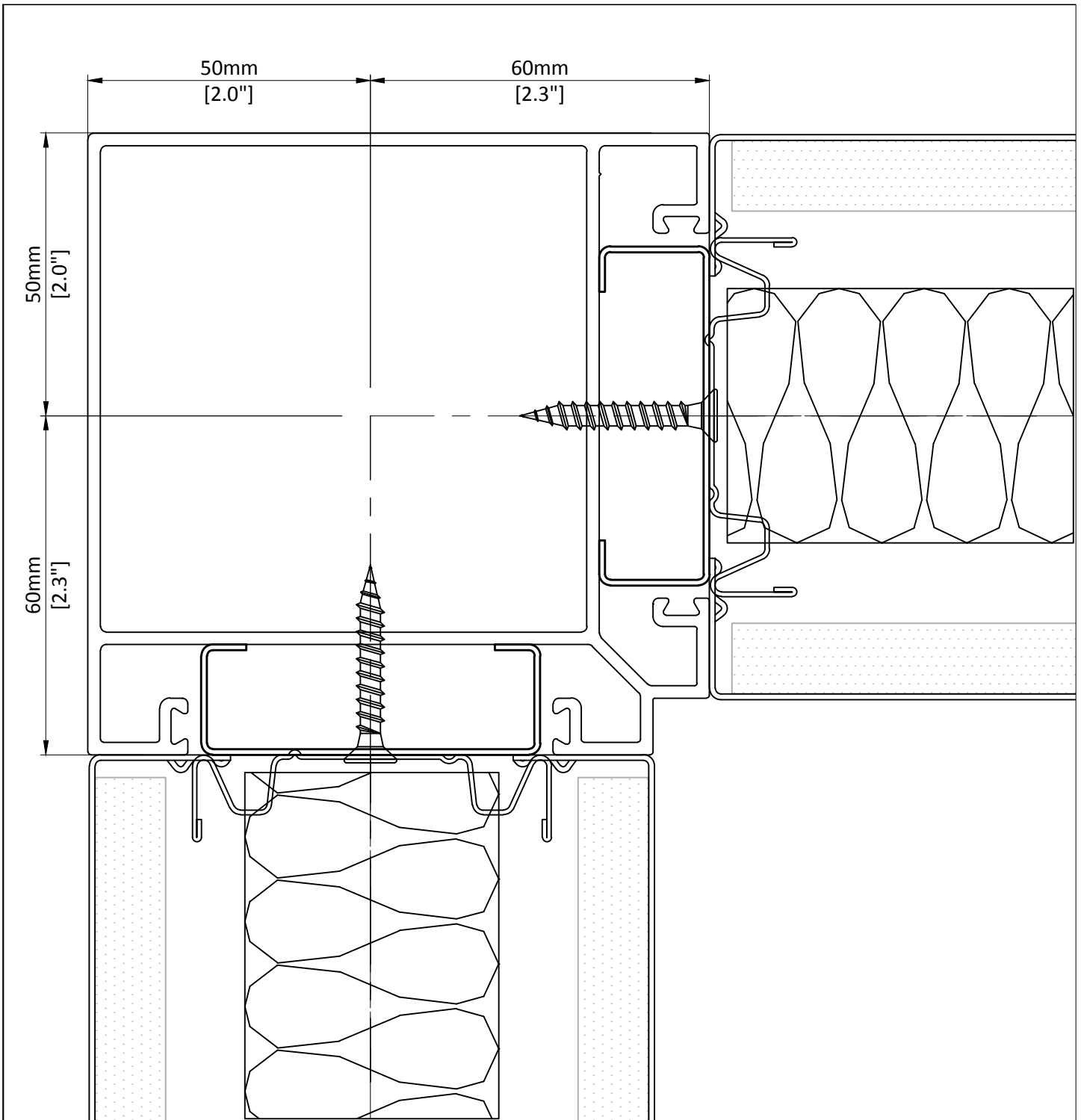
Project <b>System details - Panels (steel)</b>	Project no.	Detail no. <b>W S07</b>
Description cross connection	Scale 1:1	0voeg.S.00dB.00'.78.-



# VERWOL Architectural Walls

Headquarters and production  
 De Veken 21 +31 - (0)226 36 36 36  
 1716 KE Opmeer international@verwol.nl  
 The Netherlands www.verwol.nl/en

		F
		E
		D
		C
		B
		A
MS	01-01-2015	
	Date	Rev.



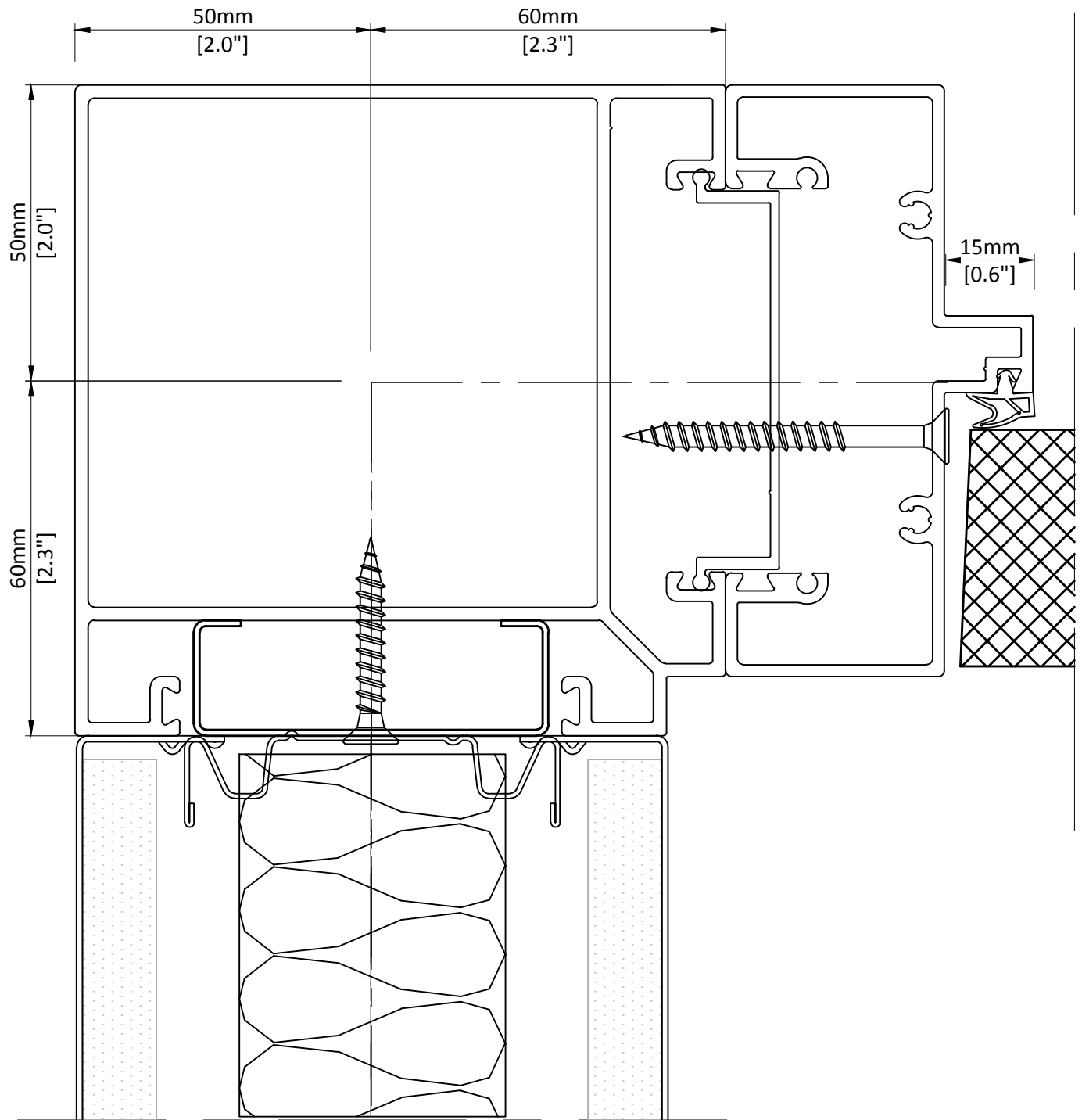
Project <b>System details - Panels (steel)</b>	Project no.	Detail no. <b>W S08</b>
Description 90° angle	Scale 1:1	Ovoeg.S.00dB.00'.69.-



# VERWOL Architectural Walls

Headquarters and production  
 De Veken 21 +31 - (0)226 36 36 36  
 1716 KE Opmeer international@verwol.nl  
 The Netherlands info@verwol.nl/en

		F
		E
		D
		C
		B
		A
MS	01-01-2015	
	Date	Rev.



Project  
System details - Panels (steel)

Project no.

Detail no.  
W S09

Description  
90° angle with doorframe

Scale  
1:1



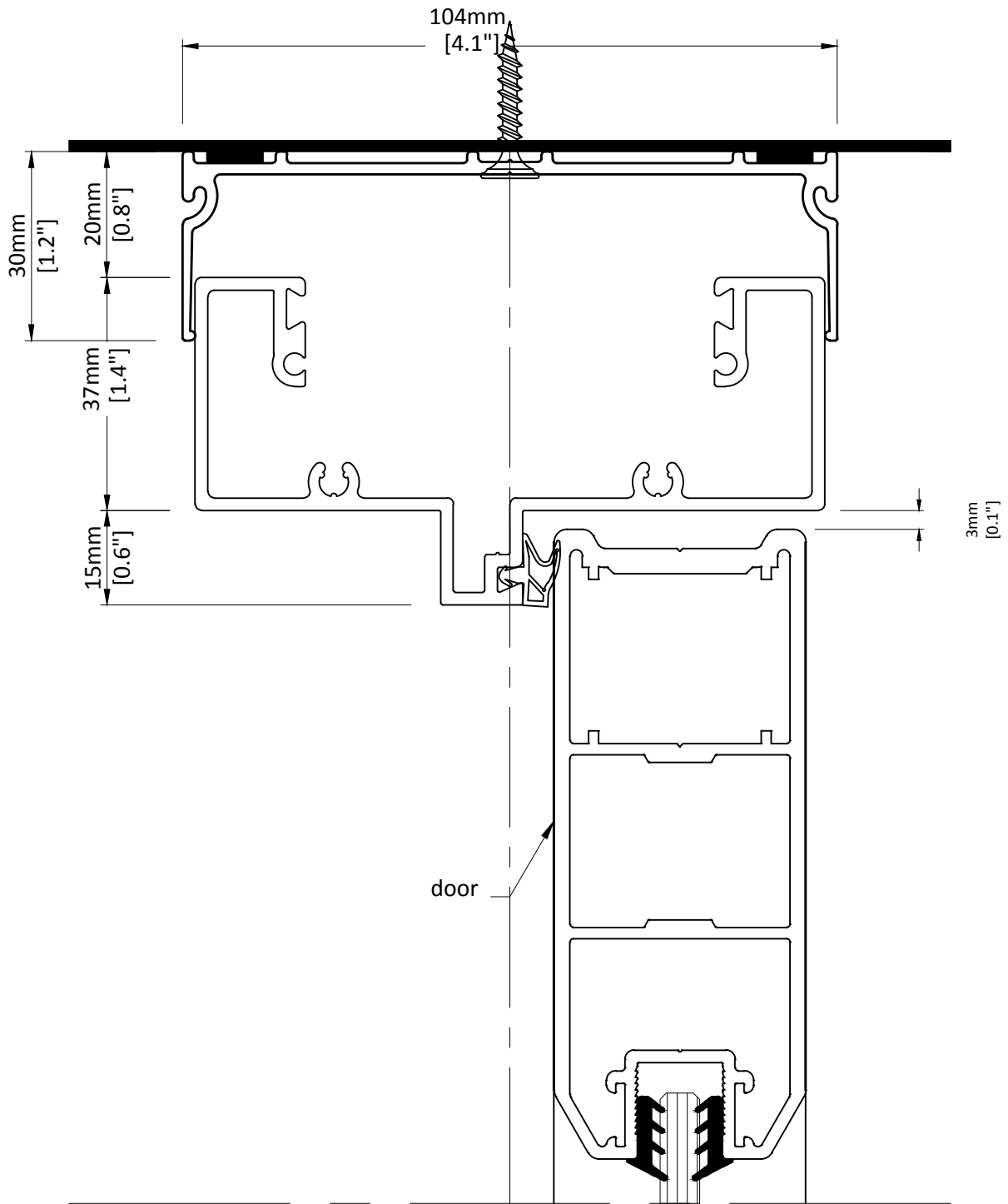
## VERWOL Architectural Walls

Headquarters and production

De Veken 21  
1716 KE Opmeer  
The Netherlands

+31 - (0)226 36 36 36  
international@verwol.nl  
www.verwol.nl/en

		F
		E
		D
		C
		B
		A
MS	01-01-2015	
	Date	Rev.



Project  
System details

Project no.

Detail no.  
W S11

Description  
head track and doorframe

Scale  
1:1

KD100.S.00dB.00'.11.-



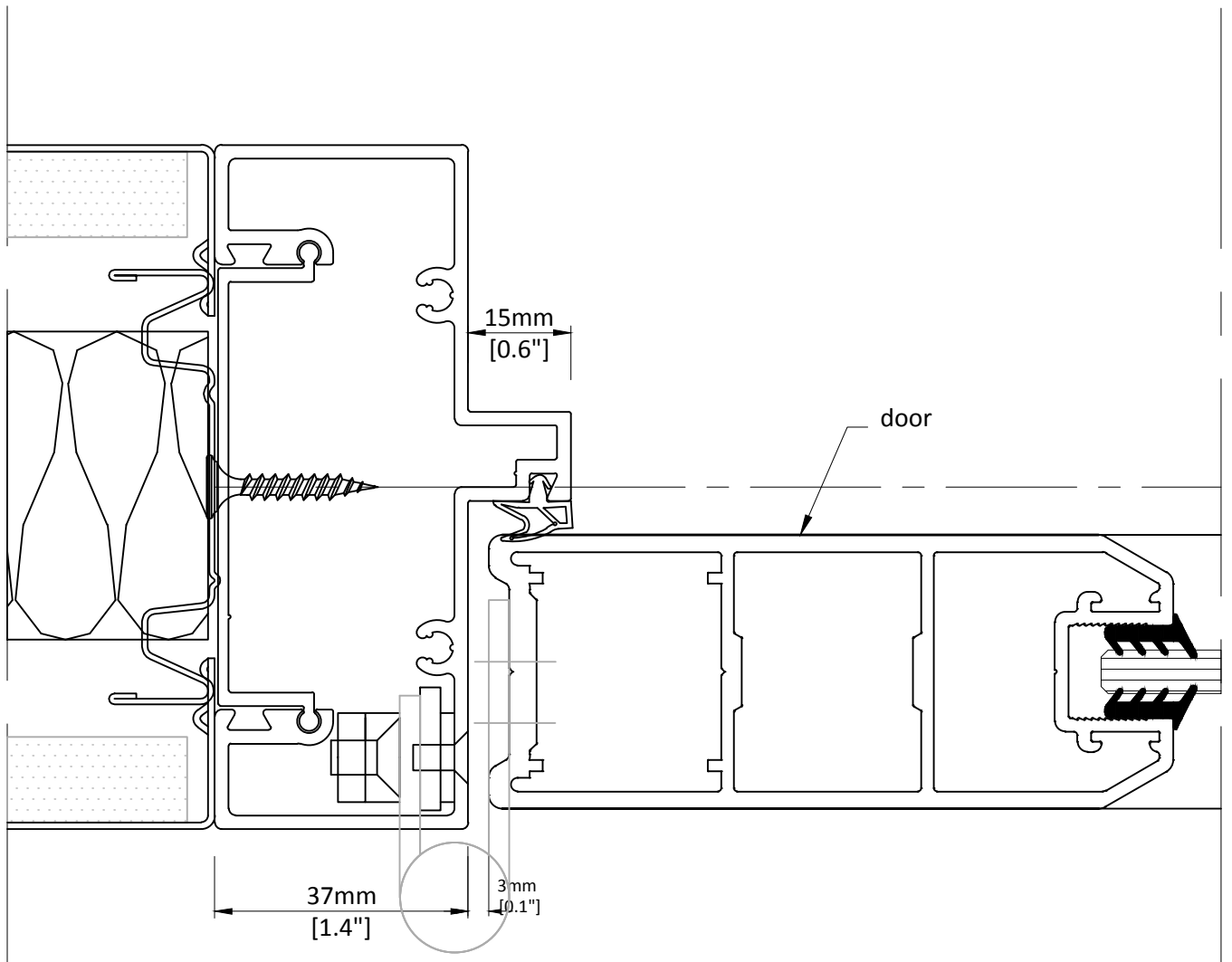
# VERWOL Architectural Walls

Headquarters and production

De Veken 21  
1716 KE Opmeer  
The Netherlands

+31 - (0)226 36 36 36  
international@verwol.nl  
www.verwol.nl/en

		F
		E
		D
		C
		B
		A
MS	01-01-2015	
	Date	Rev.



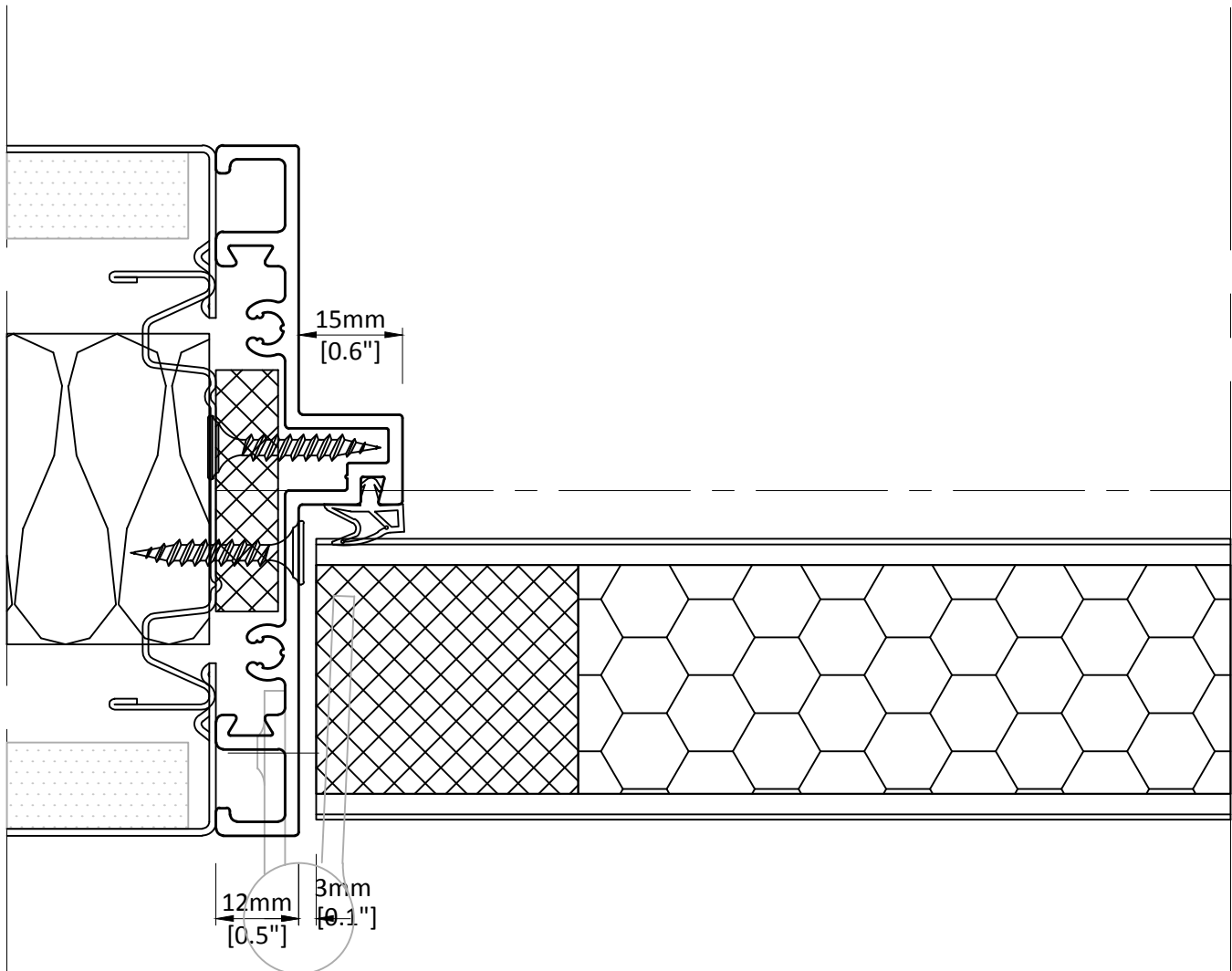
Project <b>System details - Panels</b>	Project no.	Detail no. <b>W S13</b>
Description doorframe	Scale 1:1	KD100.S.00dB.00'.21.-



# VERWOL Architectural Walls

Headquarters and production  
 De Veken 21 +31 - (0)226 36 36 36  
 1716 KE Opmeer international@verwol.nl  
 The Netherlands www.verwol.nl/en

		F
		E
		D
		C
		B
		A
MS	01-01-2015	
	Date	Rev.



Project <b>System details - Panels (steel)</b>	Project no.	Detail no. <b>W S17</b>
Description Slim doorframe (only to combine with timber doors)	Scale 1:1	HD100.S.00dB.00'.025.



# VERWOL Architectural Walls

Headquarters and production  
 De Veken 21 +31 - (0)226 36 36 36  
 1716 KE Opmeer international@verwol.nl  
 The Netherlands www.verwol.nl/en

		F
		E
		D
		C
		B
		A
MS	01-01-2015	
	Date	Rev.