

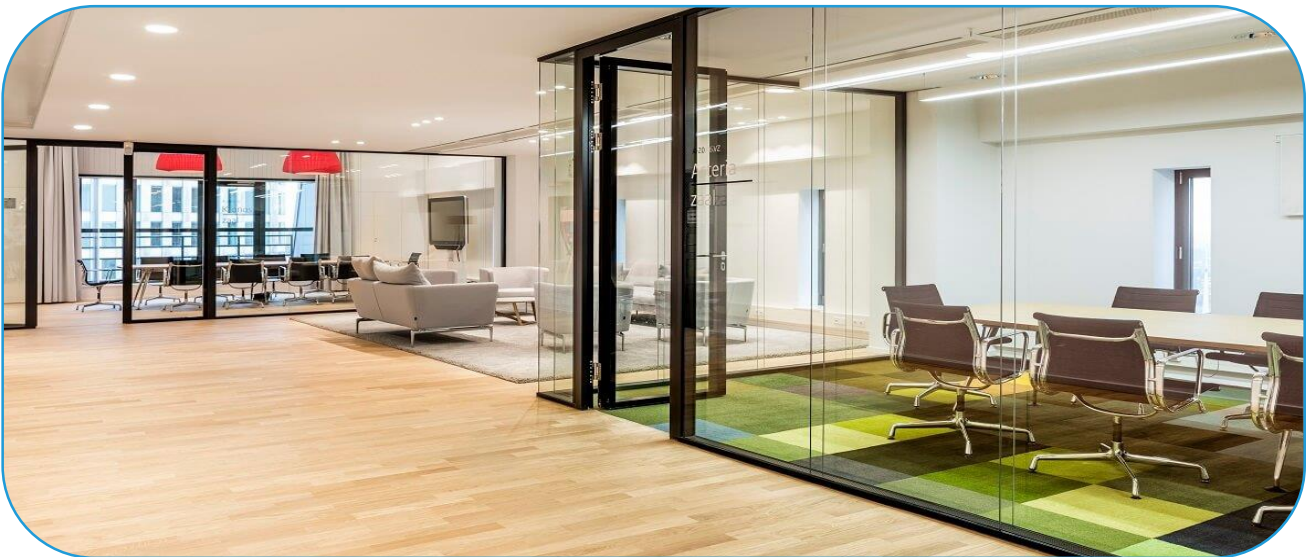


Verwol Slimline Clearvision Double

Verwol Slimline Clearvision Double product sheet

The Verwol Slimline Clearvision Double™ is a glazed architectural wall with the best sound insulation features. Perfectly suitable for offices where speech privacy and quiet areas are desirable.

The Slimline Clearvision Double is manufactured and delivered with the Cradle to Cradle (C2C) Silver certificate. C2C is now officially marked as the highest standard when it comes down to sustainability in the US and Europe.



Track colors

The Slimline head- and base tracks are available in black (RAL 7021), white (RAL 9010) and grey (RAL 7035).

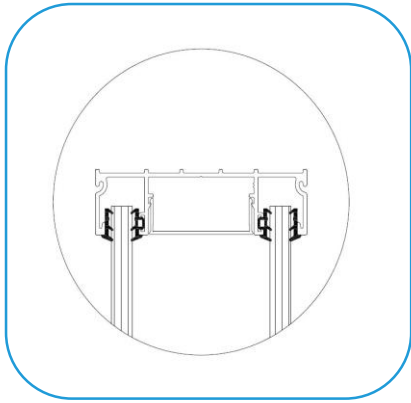




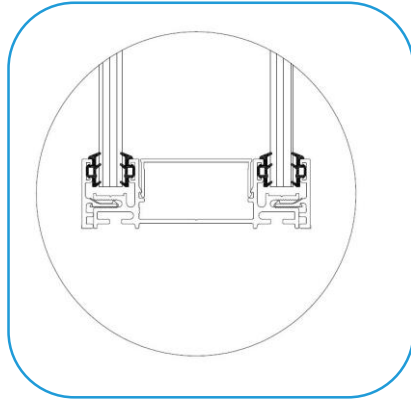
Verwol Slimline Clearvision Double

Technical characteristics

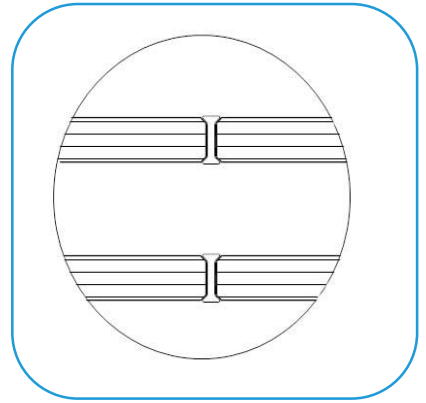
Thickness:	100mm. / [4"]
Panel width:	up to 900mm [36"]
Height:	max. 3.000mm [10"]
Head tracks:	aluminium, 30mm high [1-1/4"]
Base Tracks:	aluminium, 30mm high [1-1/4"]
Sound insulation:	Rw=44dB
Glass to glass connection:	Flush joint



Head track



Base track



Flush joint glass connection

